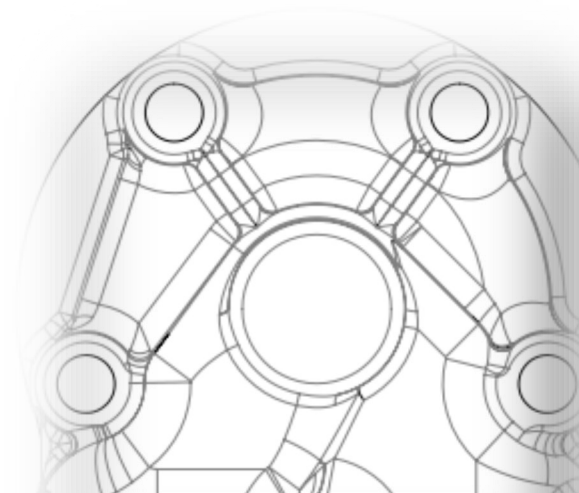


SAI

POWER THROUGH EFFICIENCY

DISTRIBUTORS



DISTRIBUTORS

TECHNICAL CATALOGUE

INDEX

2	GENERAL INFORMATION
12	OPTIONS
16	TECHNICAL DATA

INTRODUCTION TO THE CATALOGUE AND SYMBOLS USED

This catalogue consists of:

- A topic index;
- An introduction page;
- Texts and warnings divided into chapters, paragraphs and subsections.

SYMBOLS INDICATING DANGEROUS SITUATIONS OR VERY IMPORTANT INFORMATION.



WARNING!

Indicates risky situations for people, refers to accident prevention and suggests behavioral procedures.



NOTE!

Indicates useful information for the consultation of the manual and the smooth operation of the machine.



GENERAL INFORMATION

Introduction

Read and store this technical catalogue carefully. The information in it contained will be needed to correctly select the product.

The components are manufactured in compliance with the directives of the European community concerning the free circulation of industrial goods in the E.U. and is therefore supplied with all the necessary documentation.

The manufacturer has designed the components in order to ensure safe usage conditions.



Purpose of the catalogue

This catalogue is aimed to present the products in it contained to aid in the selection of the most suitable component for the required application.

SAI hydraulic motors will not be held liable for damages, accidents or drawbacks resulting to the failure to comply to the instructions given in this manual. SAI will also not be held liable for the modification and/or installation of non-authorized accessories.



Updating the catalogue

It is recommended to constantly keep this catalogue updated by adding amendments, updates or modifications made by the manufacturer. New pages will be sent in the event of minor changes and it will be up to the user to integrate them within the catalogue, replacing the existing ones in the related chapters or paragraphs. A revised copy of the catalogue will be sent to replace the existing version in the event of substantial changes to the components. At which point the old version of the catalogue must be destroyed.



COMMON DEFINITIONS

In this catalogue and most of the SAI documents the following specific terminology is used to describe specific key points of the SAI products.

The peak values indicate the maximum working conditions that the product can withstand. This means that the component can in fact work at its peak working conditions for a period of time that does not exceed 1% per minute and not more than 10 times per hour.

The cont.us working condition values are the ones that can be applied cont.usly without harming the product. This means that it is the working conditions at which the component can run until the end of its calculated lifetime.



HYDRAULIC FLUIDS

OLI MINERALI

SAI suggests to use good quality hydraulic mineral oil, preferably with additives for high pressure, anti-corrosive, anti-wear and anti-foaming. The hydraulic fluid used has to be chosen in order for the viscosity is within the indicated range to the normal working temperature conditions.

Admissible temperature range:

Ottimale: +30°C a +50°C
Ammissibile: -20°C a +80°C

On request our motors can be manufactured to operate at lower (down to -40°C) or higher (up to +120°C) temperatures.

Operating viscosity range:

Ottimale: 40 cSt a 60 cSt
Ammissibile: 10 cSt a 150 cSt

NOTE: motor lifetime is influenced from the oil viscosity, please contact SAI to calculate your application life-time.



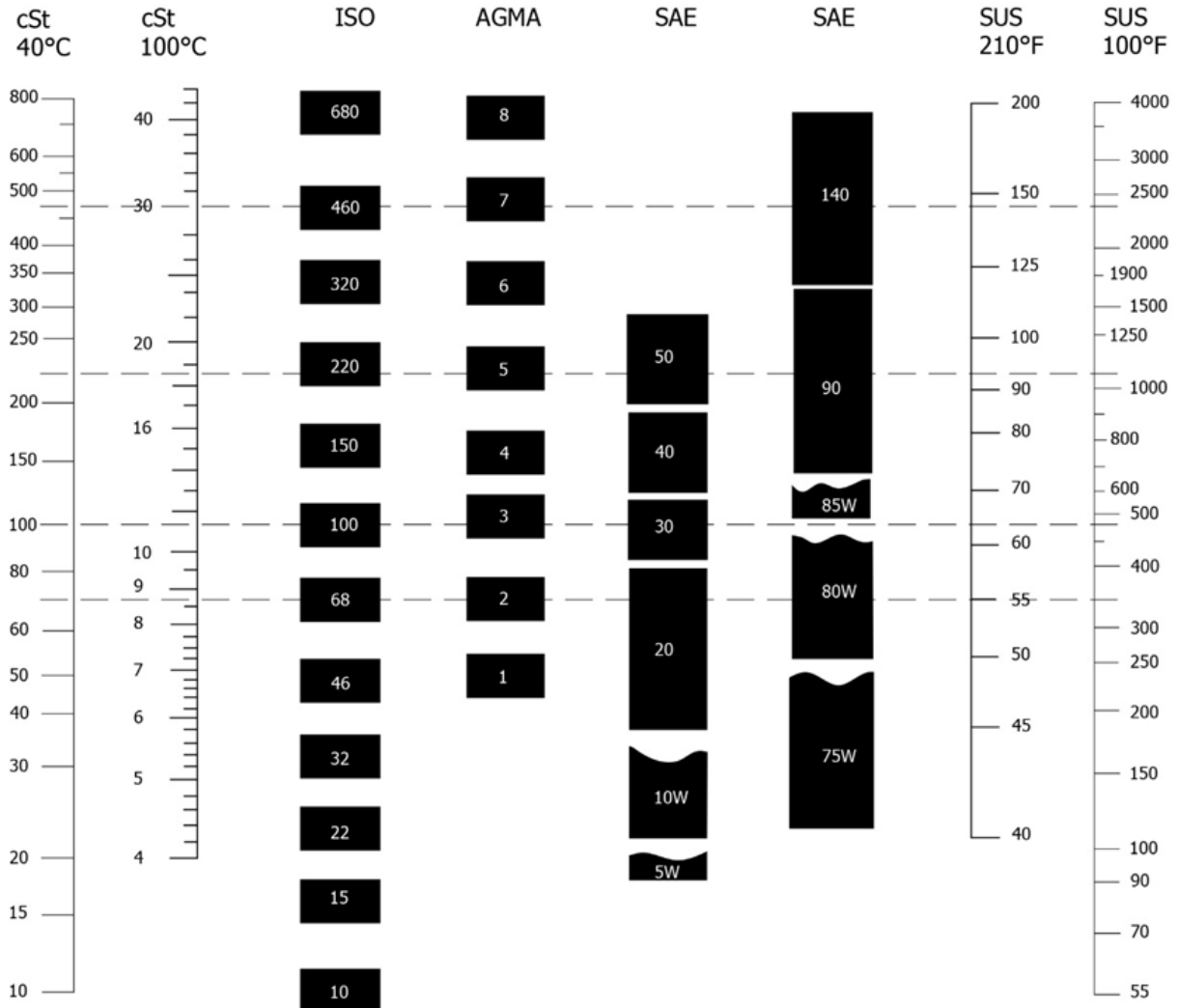
After the initial start up please verify the level of the lubricant periodically and top up whenever necessary. The first oil change has to be made after 15-20 hours of operation. The following changes must be performed after 800-1000 hours, or one year of operation, whichever comes first.

FIRE RESISTANT FLUIDS

- (i) **Synthetic fluids:** (phosphate esters, polyesters, ...). These fluids have similar characteristics to mineral oils and the same temperature and viscosity ranges are applicable. These kinds of fluids may, however, require seals of suitable material (such as FKM seals) which are available on request.
- (ii) **Water based fluids:** (water-oil emulsions, water-glycol solutions, ...) due to the low viscosity of these fluids the lifetime of the components is reduced.

SAYBOLT VISCOSITIES

KINEMATIC VISCOSITIES **GRADE SYSTEMS** SAYBOLT VISCOSITIES





START UP

Before connecting the pipes, make sure that they are clean and that there is no rust. On the first start up remove all air from the hydraulic circuit. Make sure that there are no oil leaks from the joints and from the body. The products are tested at the factory and do not need a testing period.



FILTRATION

SAI recommends using filters with gradation up to 25 μm , preferably 10 μm . SAI products have a good resistance to contaminated oil; however filter efficiency and therefore clean oil, are important for the correct functioning and reliability of all the components in the hydraulic system. The efficiency of the filtering agents is greatly reduced with a progressive accumulation of filtered particles, therefore the filters have to be regularly checked. It is recommended to pay close attention at the first start up of the hydraulic system or in the event of a replacement of any component for damage or excessive usage. It is advisable to follow the filter manufacturer's recommendations for its life span and cleaning or substitution cycles.

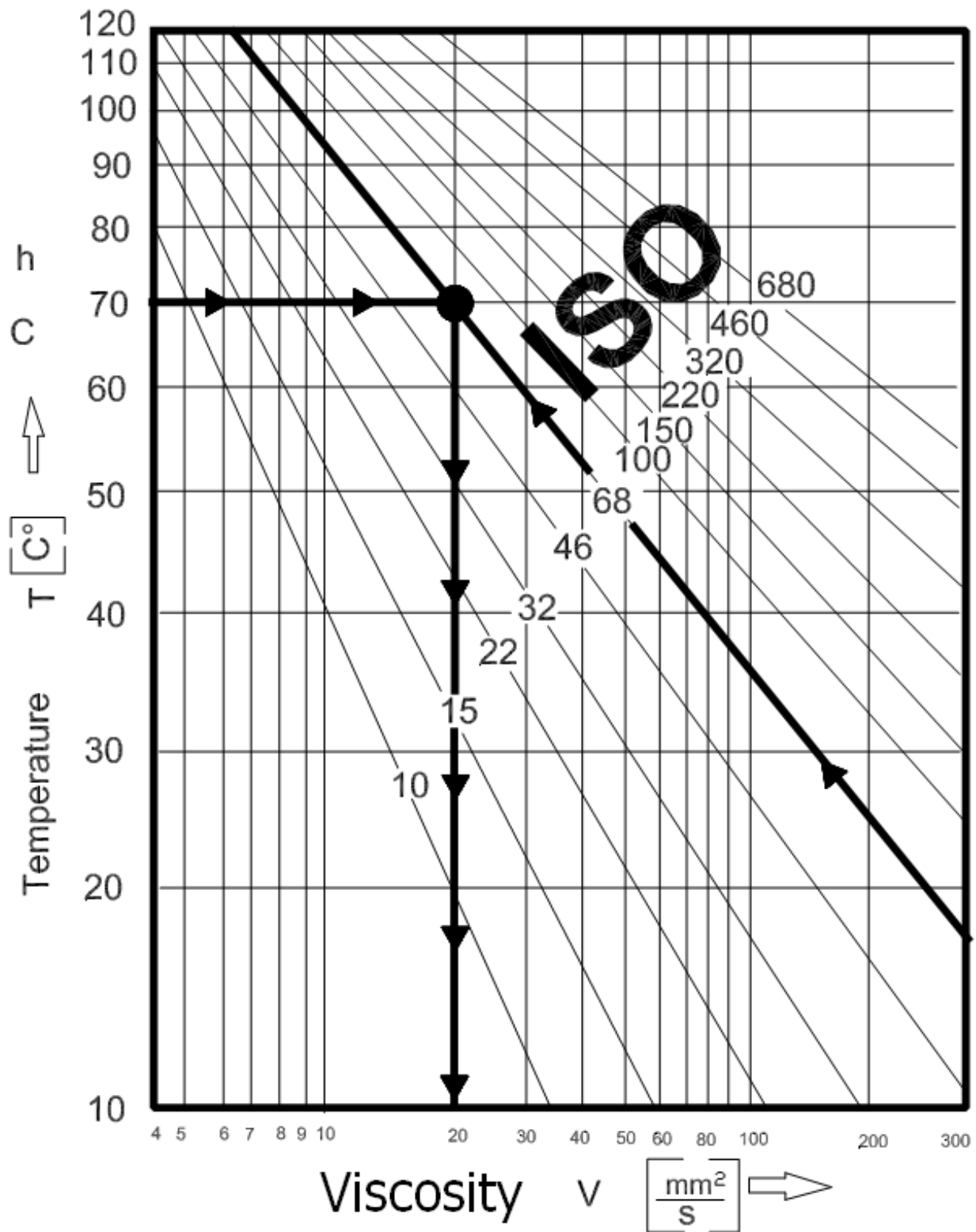
PIPES AND CONNECTIONS

SAI recommends the use of high quality piping and connections for high pressure hydraulic applications. Follow manufacturer's recommendations for pipe sizes, in any case do not use pipes which are smaller than the port connections; to reduce the effects of oil compressibility, use pipes with minimum possible width and diameter and maximum rigidity; to reduce the effects of a load loss avoid sharp corners, restrictions and high flow speed.

KINEMATIC VISCOSITIES

GRADE SYSTEMS

SAYBOLT VISCOSITIES

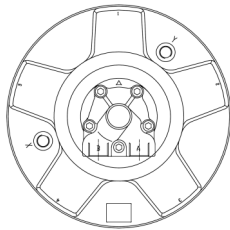




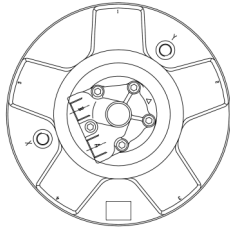
DISTRIBUTOR COVER ORIENTATION

SAI motors can be provided with the distributor cover orientated in any of the following directions. These are selectable among the following positions: DM1 for position 1, DM2 for position 2 etc. This position has to be stated at the end of the full description of the motor. If no specification is made the standard position is DM1.

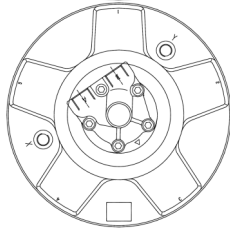
Position 1 DM1



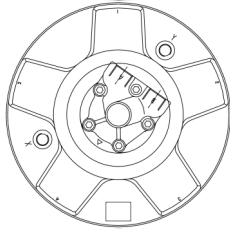
Position 2 DM2



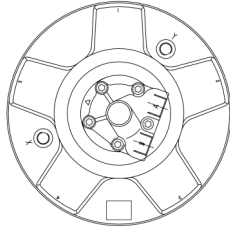
Position 3 DM3



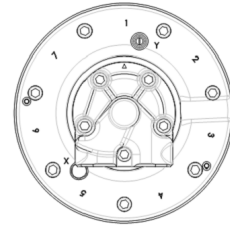
Position 4 DM4



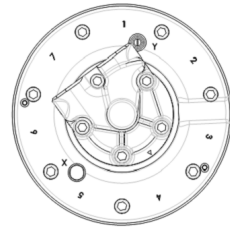
Position 5 DM5



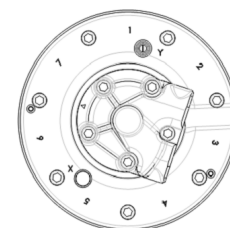
Position 1 DM1



Position 2 DM4




Position 3 DM7



Five piston motor.
SERIES: GM, GS, BD, GK, BDK, BVK

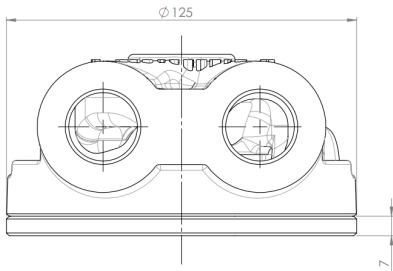
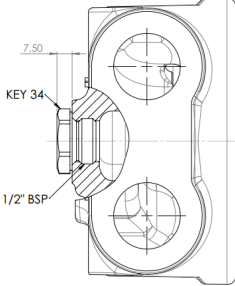
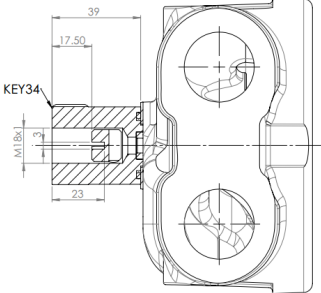
Seven piston motor.
SERIES: TF, TD, TV, TS8

				Technical Datasheet METRIC SYSTEM BOLT TORQUE SETTINGS								Tab.05	
												REV.	2
NORM DIN 267				CLASS OF RESISTANCE									
				5.8		6.8		8.8		10.9		12.9	
Ø Bolt	Hexagon mm	Pitch coarse mm	Pitch fine Mm	Pitch coarse Nm	Pitch fine Nm	Pitch coarse Nm	Pitch fine Nm	Pitch coarse Nm	Pitch fine Nm	Pitch coarse Nm	Pitch fine Nm	Pitch coarse Nm	Pitch fine Nm
				5S		6S		8G		10K		12K	
M2	4	0.4	-	0.2 0.2	-	0.2 0.3	-	0.3 0.4	-	0.4 0.5	-	0.5 0.6	-
M2.5	5	0.45	-	0.4 0.5	-	0.5 0.6	-	0.6 0.8	-	0.9 1.1	-	1.1 1.3	-
M3	5.5	0.5	-	0.7 0.8	-	0.8 1.0	-	1.1 1.3	-	1.5 1.9	-	1.8 2.3	-
M3.5	6	0.6	-	1.1 1.3	-	1.3 1.5	-	1.7 2.1	-	2.4 2.9	-	2.8 3.5	-
M4	7	0.7	-	1.6 1.9	-	1.9 2.3	-	2.5 3.1	-	3.5 4.3	-	4.2 5.2	-
M5	8	0.8	-	3.1 3.8	-	3.7 4.5	-	4.9 6.0	-	6.9 8.5	-	8.3 10.0	-
M6	10	1,0	-	5.3 6.5	-	6.4 7.8	-	8.5 10.0	-	12.0 15.0	-	14.0 18.0	-
M7	11	1.0	-	8.7 11.0	-	10.0 13.0	-	14.0 17.0	-	20.0 24.0	-	24.0 29.0	-
M8	13	1.25	1.0	13.0 16.0	14.0 17.0	15.0 19.0	16.0 20.0	20.0 25.0	22.0 27.0	29.0 35.0	31.0 38.0	34.0 42.0	37.0 46.0
M10	17	1.5	1.25	25.0 31.0	26.0 33.0	30.0 37.0	32.0 39.0	40.0 50.0	42.0 53.0	57.0 70.0	59.0 74.0	68.0 84.0	71.0 89.0
M12	19	1.75	1.5	43.0 53.0	45.0 56.0	52.0 64.0	54.0 67.0	69.0 85.0	72.0 89.0	97.0 119.0	101.0 125.0	116.0 143.0	121.0 150.0
M14	22	2.0	1.5	68.0 84.0	74.0 92.0	82.0 101.0	89.0 111.0	110.0 135.0	118.0 148.0	154.0 190.0	166.0 208.0	185.0 228.0	199.0 250.0
M16	24	2.0	1.5	106.0 132.0	112.0 141.0	128.0 159.0	135.0 170.0	128.0 212.0	180.0 226.0	240.0 298.0	253.0 318.0	287.0 357.0	303.0 382.0
M18	27	2.5	2.0	147.0 182.0	155.0 194.0	176.0 218.0	186.0 233.0	235.0 290.0	248.0 310.0	330.0 402.0	349.0 436.0	397.0 490.0	419.0 523.0
M20	30	2.5	2.0	208.0 258.0	217.0 273.0	249.0 310.0	261.0 327.0	332.0 413.0	347.0 436.0	467.0 580.0	489.0 614.0	561.0 697.0	586.0 736.0
M22	34	2.5	2.0	284.0 355.0	296.0 373.0	341.0 426.0	355.0 448.0	454.0 568.0	474.0 597.0	639.0 798.0	666.0 840.0	767.0 958.0	799.0 1008.0
M24	36	3.0	2.0	359.0 446.0	386.0 488.0	431.0 535.0	463.0 586.0	574.0 714.0	617.0 781.0	808.0 1004.0	868.0 1098.0	969.0 1204.0	1041.0 1317.0
M27	41	3.0	2.0	525.0 656.0	561.0 712.0	630.0 788.0	673.0 855.0	840.0 1050.0	897.0 1139.0	1181.0 1477.0	1261.0 1602.0	1418.0 1772.0	1513.0 1923.0
M30	46	3.5	2.0	716.0 893.0	780.0 994.0	859.0 1072.0	936.0 1193.0	1146.0 1429.0	1248.0 1590.0	1611.0 2009.0	1754.0 2356.0	1933.0 2411.0	2105.0 2648.0
M33	50	3.5	2.0	968.0 1213.0	1045.0 1335.0	1162.0 1456.0	1254.0 1602.0	1549.0 1941.0	1673.0 2136.0	2179.0 2792.0	2351.0 3004.0	2614.0 3275.0	2821.0 3605.0
M36	55	4.0	3.0	1248.0 1561.0	1310.0 1658.0	1498.0 1873.0	1572.0 1989.0	1997.0 2497.0	2096.0 2652.0	2809.0 3511.0	2948.0 3730.0	3370.0 4213.0	3537.0 4476.0
M39	60	4.0	3.0	1615.0 2026.0	1690.0 2144.0	1938.0 2431.0	2028.0 2573.0	2584.0 3242.0	2703.0 3430.0	3633.0 4559.0	3802.0 4824.0	4360.0 5471.0	4562.0 5789.0

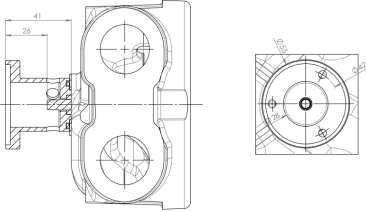
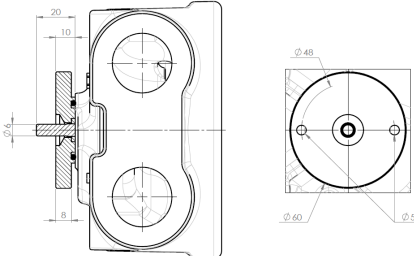
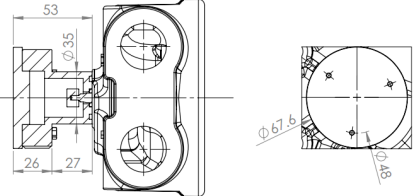
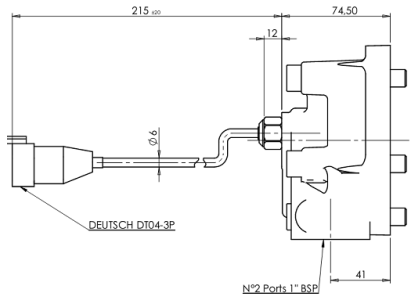
The torque values are to be considered as reference only as they can vary depending on the kind of coupling (rigid, semi-rigid, elastic, etc.), on the material on which the bolts have to be fixed on, on the length of the bolt, on the kind of wrench used (impact wrench, friction wrench, cont.us torque wrench, etc.), on the finishing condition of the thread, etc. Therefore it is advised to test the couplings to identify the most correct way to tighten them. In the event that the coupling is done with locknuts or self-locking nuts the value of the torque has to be increased by approximately 15%.

D30	3/4" BSP	With axial ports
D31	3/4" BSP	
D31G	3/4" BSP	
D36	1" 1/16" UNF	
D37	1" SAE 3000psi	
D310	1" BSP	
D311	1" BSP	With purge valve 20 lit 20 bar
D311ESB	1" BSP	With purge valve 8l/min 25 bar.
D312	3/4" BSP	With purge valve 20 lit 20 bar
D313	1" BSP	With shuttle valve for high pressure pilot
D314	1" BSP	With anti-cavitation valve
D316	1" 5/16" UNF	
D320	1" BSP	
D322	3/4" BSP	With anti-cavitation valve and double pilot port (C1 radial - C2 axial)
D40	1" BSP	
D416	1" 5/16" - 12 UNF - 2B	
D47	1" SAE 3000psi	
D47R	1" SAE 6000psi	
D47D	1" SAE 6000psi	With the hydraulic valve for the pilot of the dual displacement
D47V	1" SAE 6000psi	With electrical proportional valve for pilot the displacement
D48	1" BSP	With double sliding spool pressure relief valves 150 l/min standard calibration 350 bar
D481	1" BSP	With double sliding spool pressure relief valves 150 l/min standard calibration 350 bar, with purge valve, 20 l/min, 20 bar
D49	1" BSP	With double sliding spool pressure relief valves 80 l/min standard calibration 200 bar
D491	1" BSP	With double sliding spool pressure relief valves 80 l/min standard calibration 200 bar, with purge valve, 20 l/min, 20 bar
D504	1" BSP	With double sliding spool pressure relief valves 80 l/min standard calibration 210 bar, with purge valve, 20 l/min, 20 bar
D51	1" BSP	With overcentre valve and shuttle valve for high pressure pilot, standard calibration 210bar
D510	3/4" BSP	For free-wheeling in "short-circuit"
D524	1" BSP	With double overcentre valve and shuttle valve for high pressure pilot
D90	1 1/2" SAE 6000psi	
D907	1 1/2" SAE 6000psi	
D907D	1 1/2" SAE 6000psi	With the hydraulic valve for the pilot of the dual displacement
D907V	1 1/2" SAE 6000psi	With electrical valve for pilot the displacement
D250	2" SAE 6000psi	

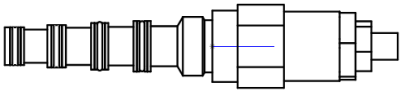
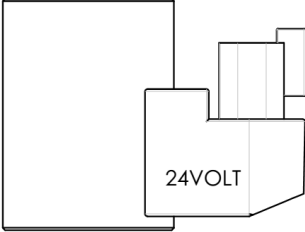
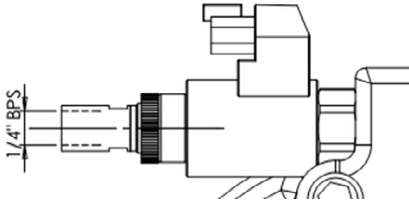
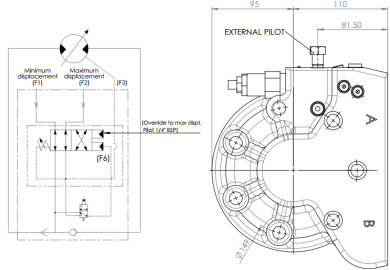
OPTIONS

<p>DBM</p>		<p>DBM: Kit for high speed distributions D3... with DBM reach the speed limit distributors D4...</p>
<p>C</p>	<p style="text-align: center;">/</p>	<p>Rotary valve for low noise.</p>
<p>K</p>		<p>Threaded hole 1/2 "BSP for installation support on the distributor tacho drive.</p>
<p>J</p>		<p>Tacho drive support.</p>

OPTIONS

<p>JY</p>		<p>Tacho drive support. ROD 400</p>
<p>JD 60</p>		<p>Tacho drive support. JD60</p>
<p>JX</p>		<p>Tacho drive support. JX</p>
<p>HU</p>		<p>Sensor hall effect unidirectional integrated for the speed reading.</p>

OPTIONS

<p>PI</p>		<p>Only applies to distributions and D47D D907D. Change displacement piloted reversed. Option to pilot the motor to maximum displacement. Without pilot pressure the motor will be in minimum displacement only for speed motor.</p>
<p>V24</p>	<p>DEUTSCH DT042P</p> 	<p>Applicable on dual displacement motors that mount D47V and D907V. Piloting displacement with a voltage of 24 volts. (instead of the standard 12 volts)</p>
<p>OV</p>	 <p>1/4" BPS</p>	<p>Only applies to distributions D47V and D907V. It allows you to stop the driving gear displacement with a pilot signal.</p>
<p>EP</p>	 <p>Minimum displacement (P1) Maximum displacement (P2) (F3) (F6)</p> <p>10 weeks to max disp. Ref. LIT. 820</p> <p>EXTERNAL PILOT</p> <p>95 110 81.50</p>	<p>Applicable on the following distributor: D47D, D47V, D907D D907V. Increase the displacement switching reactivity using an external pilot line.</p>

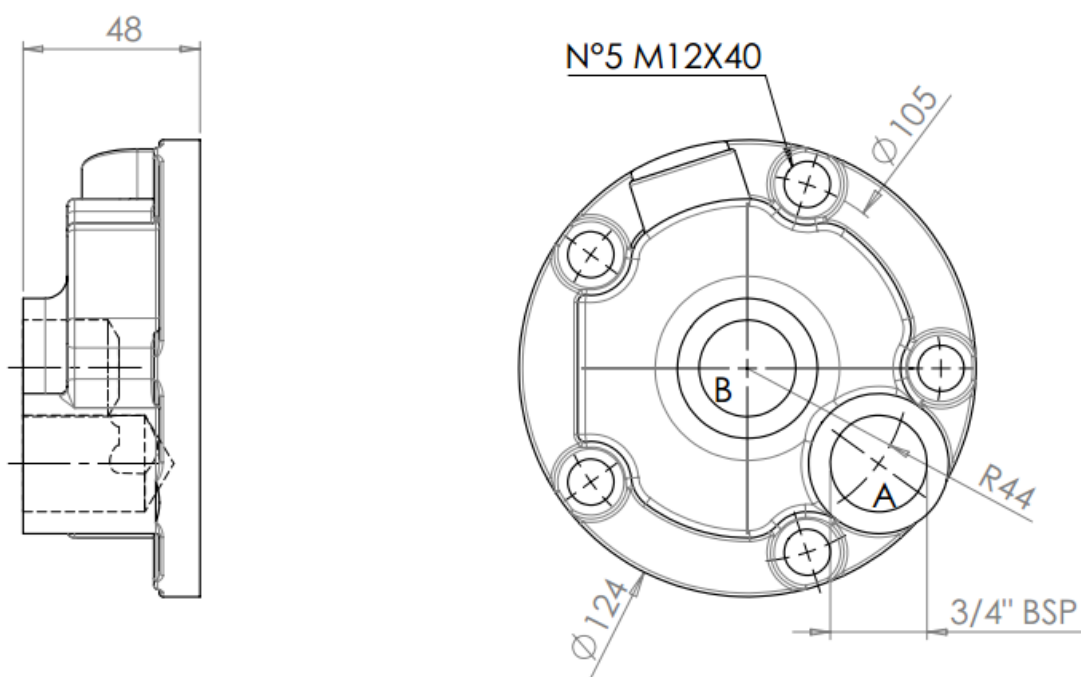
D30

Distributor with axial ports 3/4" BSP.

Details

*	Speed [rpm]	Pressure [bar]	Flow [l/min]
Cont.	300	140	150
Peak.	500	280	300
Mass 2.5 kg			

* Please check the performance of the motor selected.



OPTIONS	MOUNTABLE ON
DBM	GM05, GM1, GM2, P1
C	

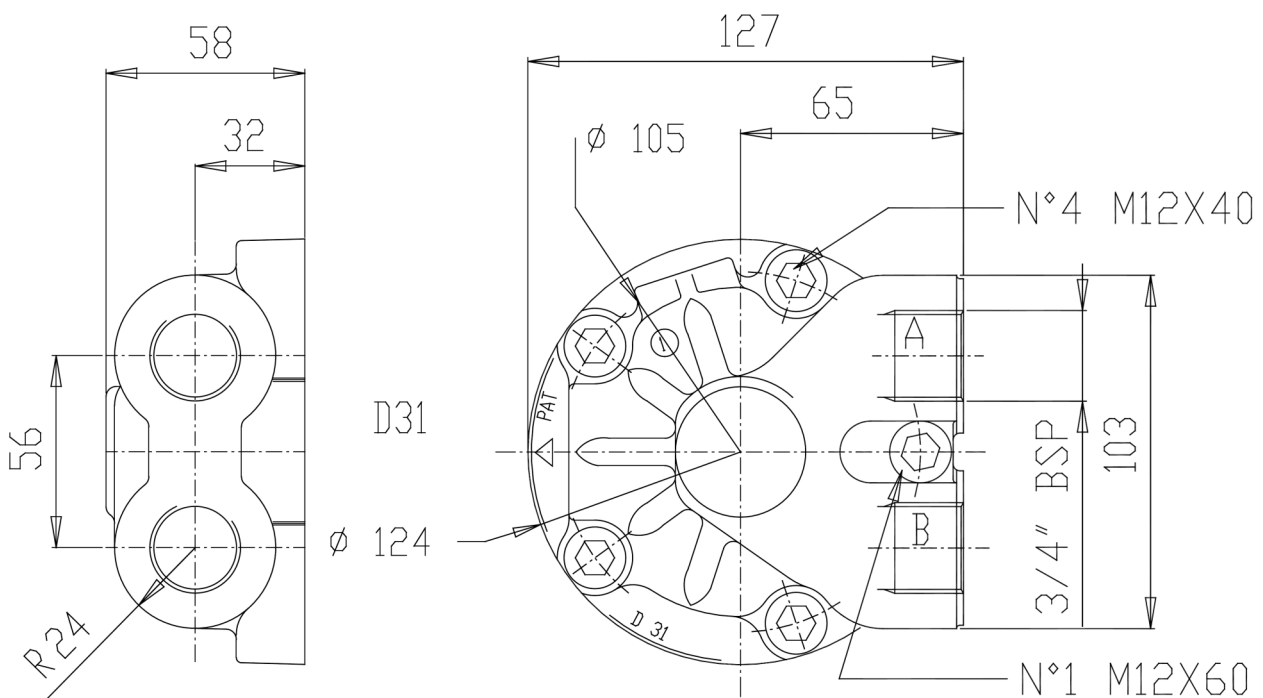
D31

Distributor with ports 3/4" BSP.

Details

*	Speed [rpm]	Pressure [bar]	Flow [l/min]
Cont.	300	350	150
Peak.	500	450	300
Mass 4 kg			

* Please check the performance of the motor selected.



OPTIONS	MOUNTABLE ON
DBM	GM05, GM1, GM2, GM3, GM4, GM5A P1, P2 Only with DBM: GS05, GS1, GS2, GS3, GS4, GS5A BD1, BD2 GK3(A), GFK3(A), GK4, GFK4
C	
K	
J, JX, JD60, JY	

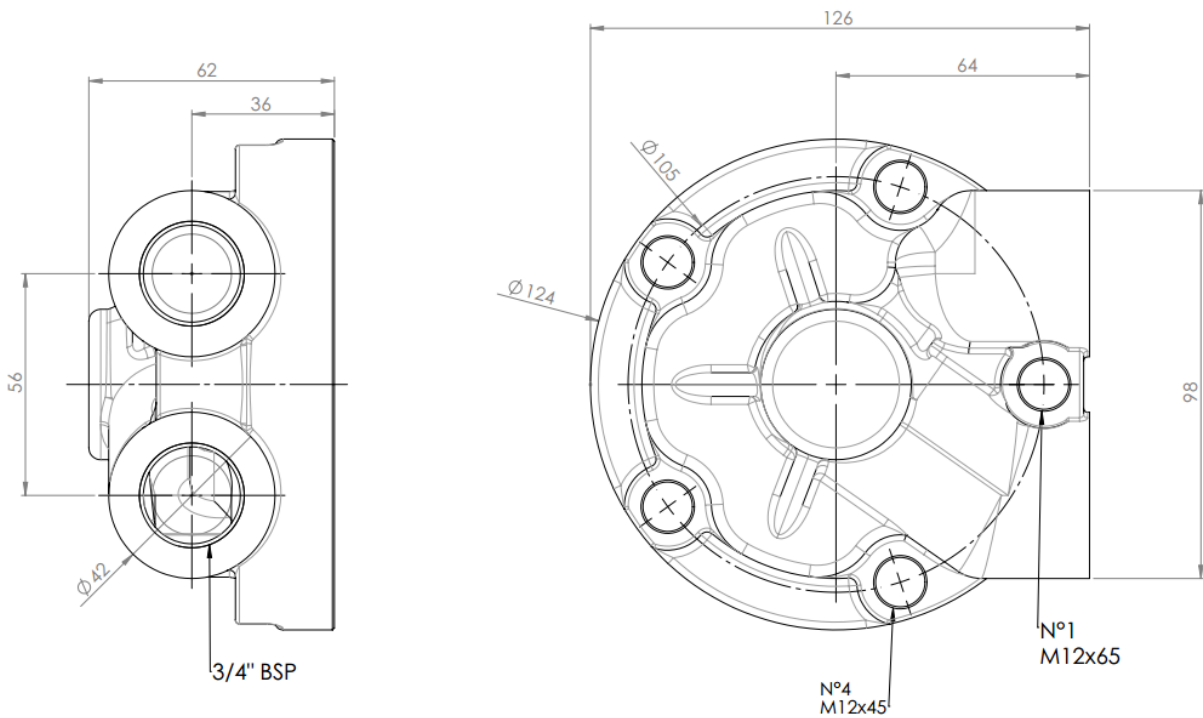
D31G

Distributor with ports 3/4" BSP.

Details

*	Speed [rpm]	Pressure [bar]	Flow [l/min]
Cont.	1600	350	150
Peak.	2400	450	200
Mass 4 kg			

* Please check the performance of the motor selected.



OPTIONS	MOUNTABLE ON
C	GM05, GM1, GK3
K	

D36

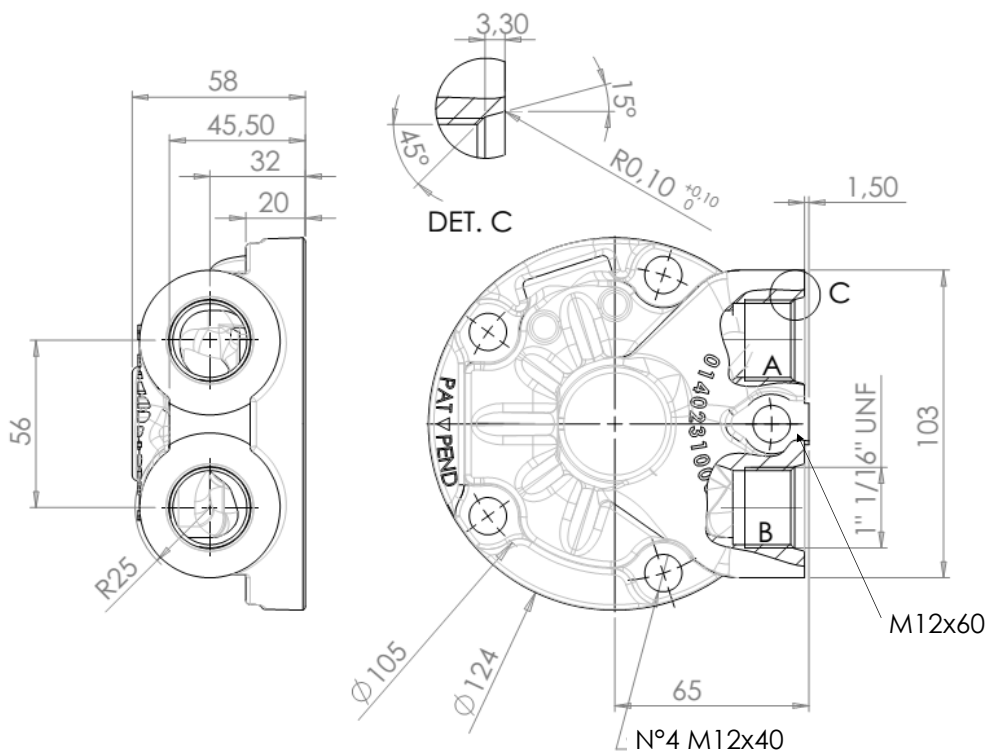
Distributor with ports 1" 1/16" UNF.

Details

*	Speed [rpm]	Pressure [bar]	Flow [l/min]
Cont.	300	350	200
Peak.	500	450	400

Mass 4 kg

* Please check the performance of the motor selected.



OPTIONS	MOUNTABLE ON
DBM	GM05, GM1, GM2, GM3, GM4, GM5A P05, P1, P2 Only with DBM: GS05, GS1, GS2, GS3, GS4, GS5A BD1, BD2 GK3(A), GFK3(A), GK4, GFK4
C	
K	
J, JX, JD60, JY	

D37

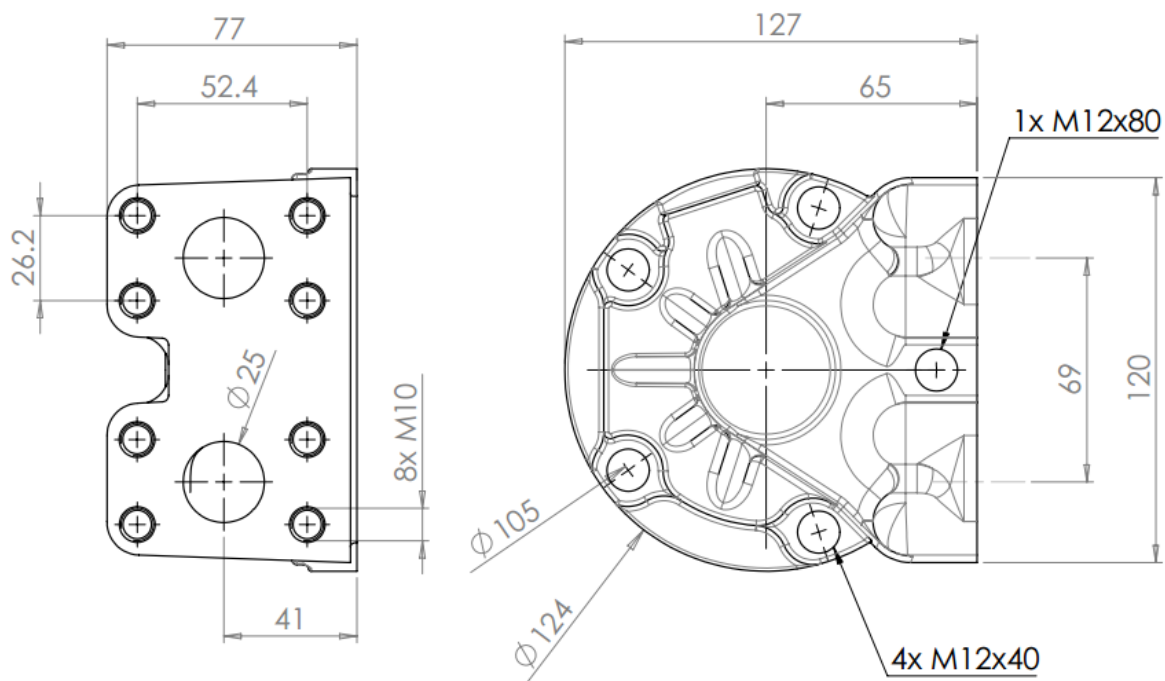
Distributor with ports 1" SAE 3000 psi .

Details

*	Speed [rpm]	Pressure [bar]	Flow [l/min]
Cont.	300	350	200
Peak.	500	450	400

Mass 4.5 kg

* Please check the performance of the motor selected.



OPTIONS	MOUNTABLE ON
DBM	GM05, GM1, GM2, GM3, GM4, GM5A P1, P2 Only with DBM: GS05, GS1, GS2, GS3, GS4, GS5A BD1, BD2 GK3(A), GFK3(A), GK4, GFK4
C	
K	
J, JX, JD60, JY	

D310

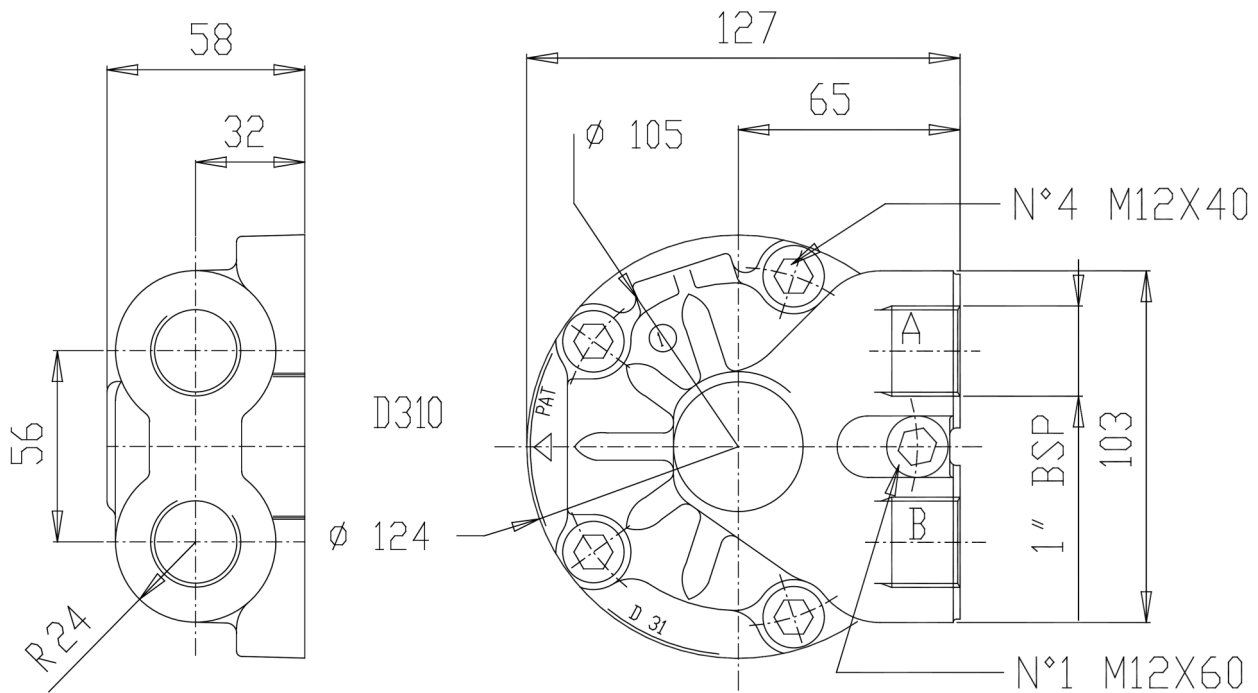
Distributor with ports 1" BSP.

Details

*	Speed [rpm]	Pressure [bar]	Flow [l/min]
Cont.	300	350	200
Peak.	500	450	400

Mass 4 kg

* Please check the performance of the motor selected.



OPTIONS	MOUNTABLE ON
DBM	GM05, GM1, GM2, GM3, GM4, GM5A P1, P2 Only with DBM: GS05, GS1, GS2, GS3, GS4, GS5A BD1, BD2 GK3(A), GFK3(A), GK4, GFK4
C	
K	
J, JX, JD60, JY	

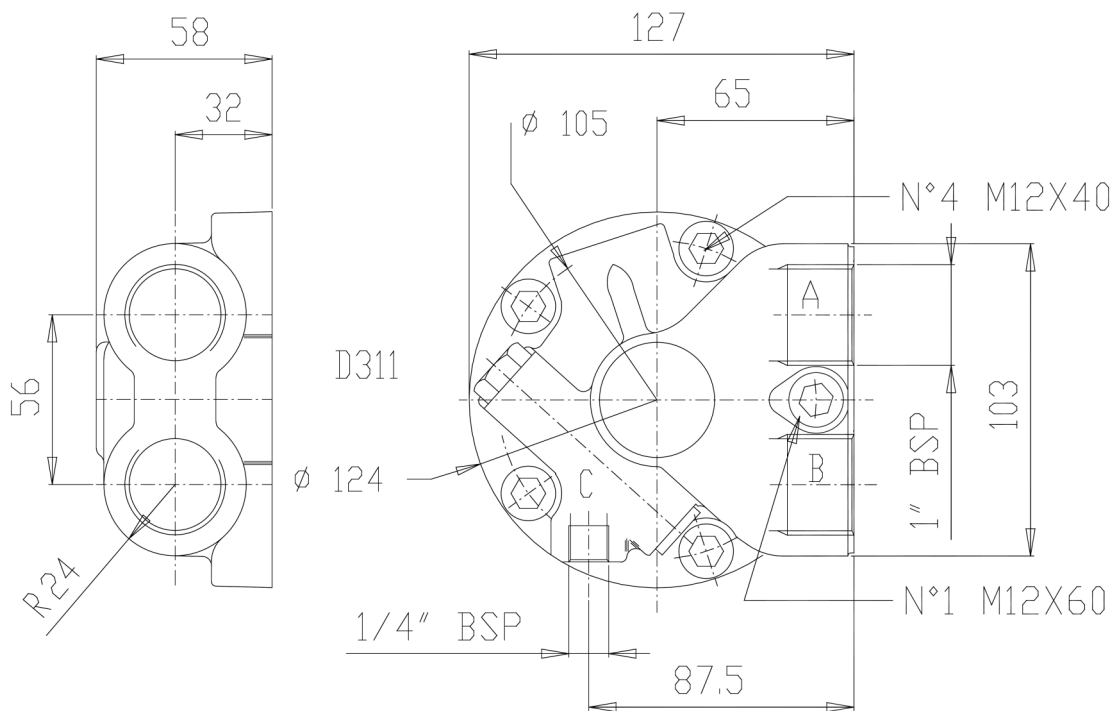
D311

Distributor with ports 1" BSP, with purge valve 20 lit. 20 bar.

Details

	Speed [rpm]	Pressure [bar]	Flow [l/min]
*			
Cont.	300	250	200
Peak.	500	350	400
Mass 4.5 kg			

* Please check the performance of the motor selected.



OPTIONS		MOUNTABLE ON
DBM		<p>GM05, GM1, GM2, GM3, GM4, GM5A P1, P2</p> <p>Only with DBM: GS05, GS1, GS2, GS3, GS4, GS5A BD1, BD2 GK3(A), GFK3(A), GK4, GFK4</p>
C		
K		
J, JX, JD60, JY		

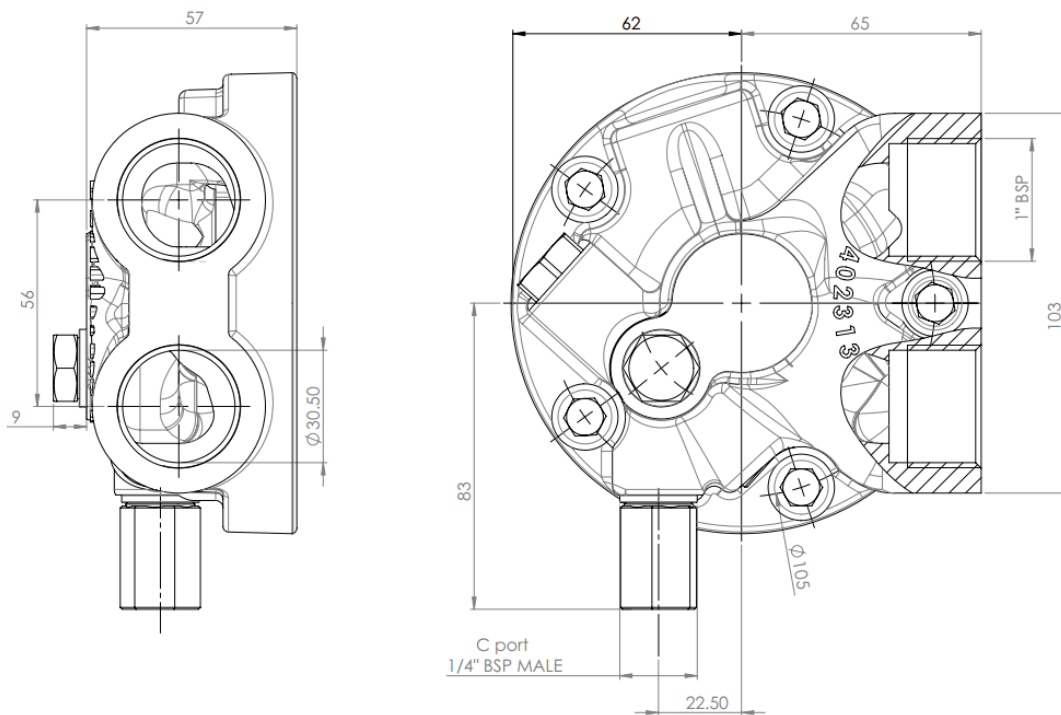
D311ESB

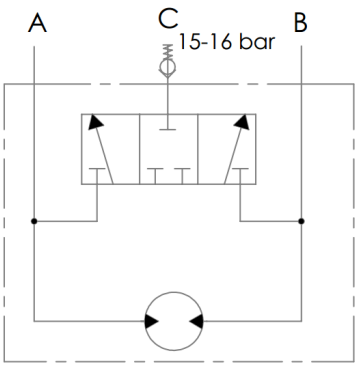
Distributor with ports 1" BSP, with purge valve 8 l/min at 20 bar.
 Calibration craking valve: 16 bar.

Details

	Speed [rpm]	Pressure [bar]	Flow [l/min]
*			
Cont.	300	250	200
Peak.	500	350	400
Mass 4.5 kg			

* Please check the performance of the motor selected.



OPTIONS		MOUNTABLE ON
DBM		GM05, GM1, GM2, GM3, GM4, GM5A P1, P2 Only with DBM: GS05, GS1, GS2, GS3, GS4, GS5A BD1, BD2 GK3(A), GFK3(A), GK4, GFK4
C		
K		

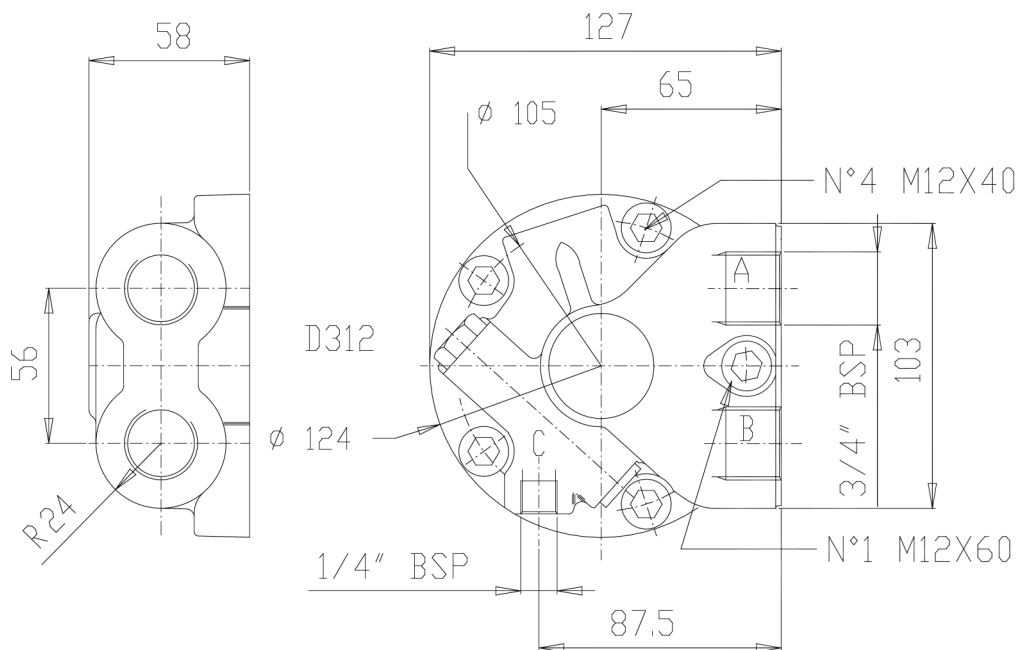
D312

Distributor with ports 3/4" BSP, with purge valve 20 lit. 20 bar.

Details

	Speed [rpm]	Pressure [bar]	Flow [l/min]
*			
Cont.	300	350	200
Peak.	500	450	400
Mass 4.5 kg			

* Please check the performance of the motor selected.



OPTIONS		MOUNTABLE ON
DBM		<p>GM05, GM1, GM2, GM3, GM4, GM5A P05, P1, P2</p> <p>Only with DBM: GS05, GS1, GS2, GS3, GS4, GS5A BD1, BD2 GK3(A), GFK3(A), GK4, GFK4</p>
C		
C		
K		

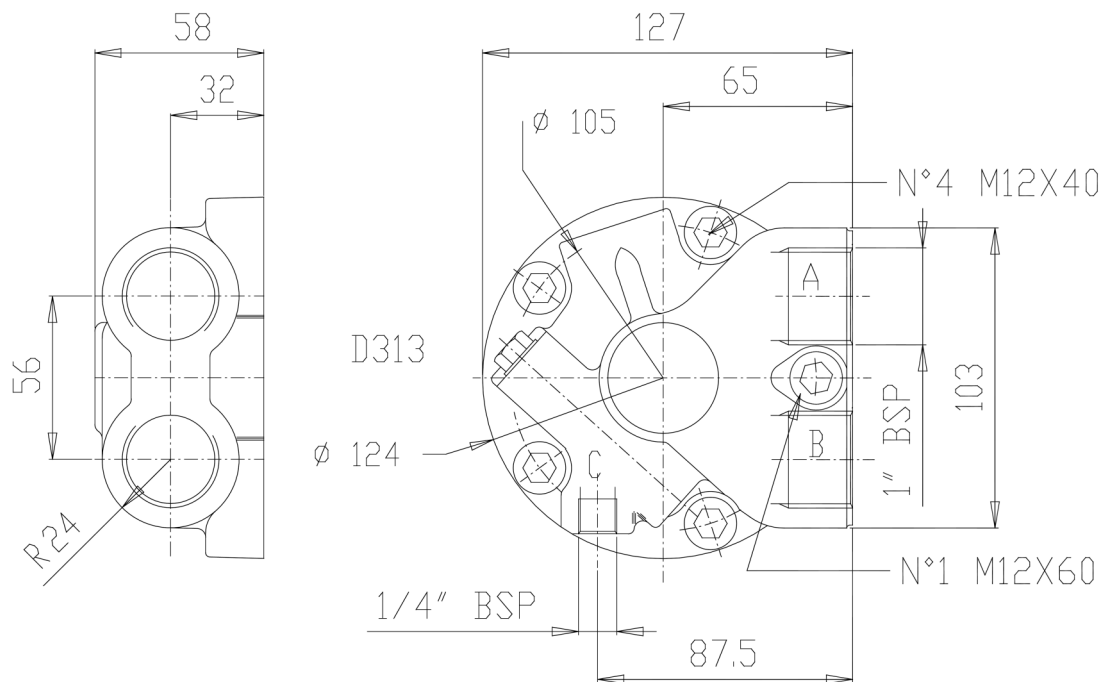
D313

Distributor with ports 1" BSP, with shuttle valve for high pressure pilot.

Details

	Speed [rpm]	Pressure [bar]	Flow [l/min]
*			
Cont.	300	350	200
Peak.	500	450	400
Mass 4.5 kg			

* Please check the performance of the motor selected.



OPTIONS		MOUNTABLE ON
DBM		<p>GM05, GM1, GM2, GM3, GM4, GM5A P1, P2</p> <p>Only with DBM: GS05, GS1, GS2, GS3, GS4, GS5A BD1, BD2 GK3(A), GFK3(A), GK4, GFK4</p>
C		
K		

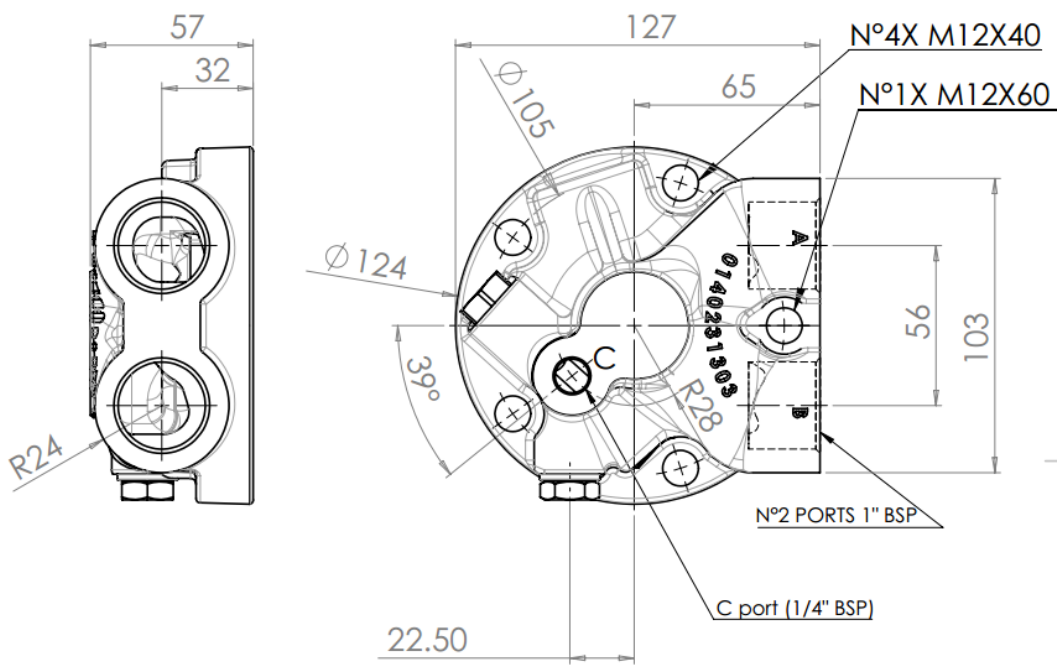
D314

Distributor with ports 1" BSP, with anti-cavitation valve.

Details

	* Speed	Pressure	Flow
	[rpm]	[bar]	[l/min]
Cont.	300	350	200
Peak.	500	450	400
	Mass 4.5 kg		

* Please check the performance of the motor selected.



OPTIONS		MOUNTABLE ON
DBM		GM05, GM1, GM2, GM3, GM4, GM5A P1, P2
C		Only with DBM: GS05, GS1, GS2, GS3, GS4, GS5A BD1, BD2 GK3(A), GFK3(A), GK4, GFK4
K		
J, JX, JD60, JY		

D316

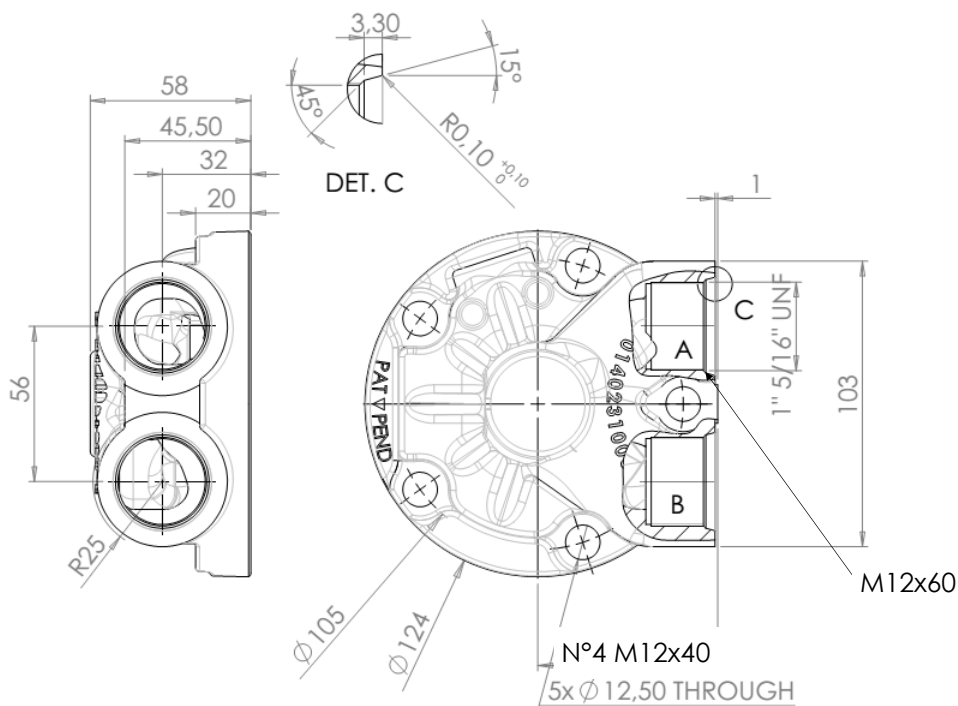
Distributor with ports 1" 5/16" UNF .

Details

	Speed [rpm]	Pressure [bar]	Flow [l/min]
*			
Cont.	300	350	200
Peak.	500	450	400

Mass 5 kg

* Please check the performance of the motor selected.



OPTIONS	MOUNTABLE ON
DBM	GM05, GM1, GM2, GM3, GM4, GM5A P1, P2 Only with DBM: GS05, GS1, GS2, GS3, GS4, GS5A BD1, BD2 GK3(A), GFK3(A), GK4, GFK4
C	
K	

D320

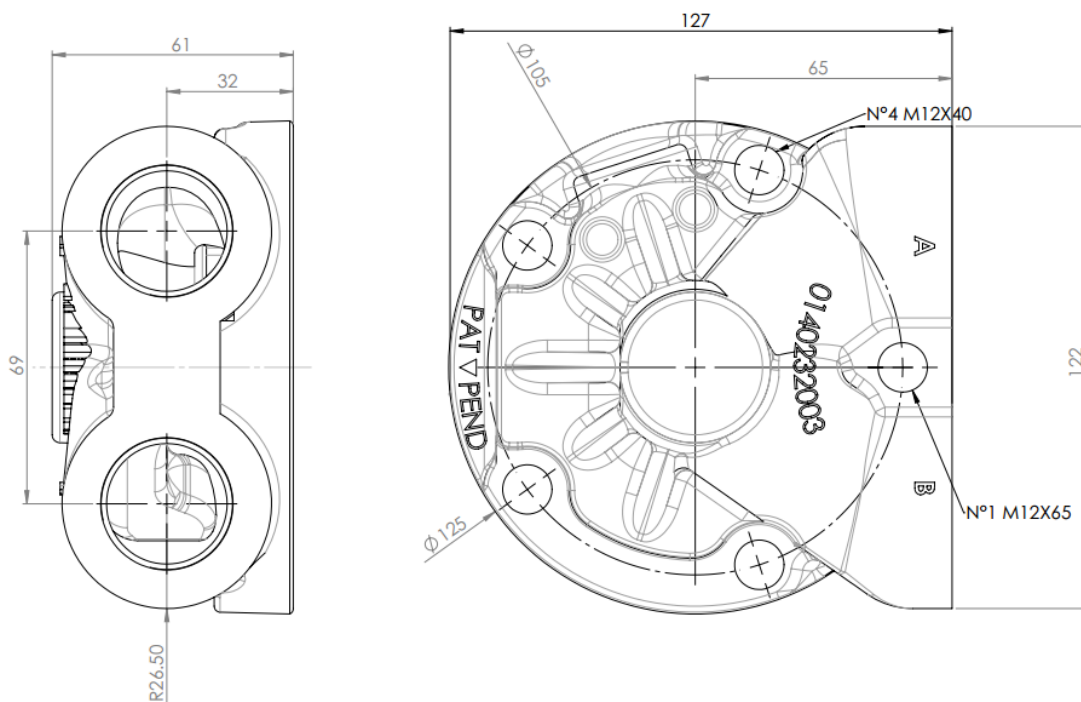
Distributor with ports 1" BSP .

Details

*	Speed [rpm]	Pressure [bar]	Flow [l/min]
Cont.	300	350	200
Peak.	500	450	400

Mass 4.5 kg

* Please check the performance of the motor selected.



OPTIONS	MOUNTABLE ON
DBM	GM05, GM1, GM2, GM3, GM4, GM5A P1, P2 Only with DBM: GS05, GS1, GS2, GS3, GS4, GS5A BD1, BD2 GK3(A), GFK3(A), GK4, GFK4
C	

D322

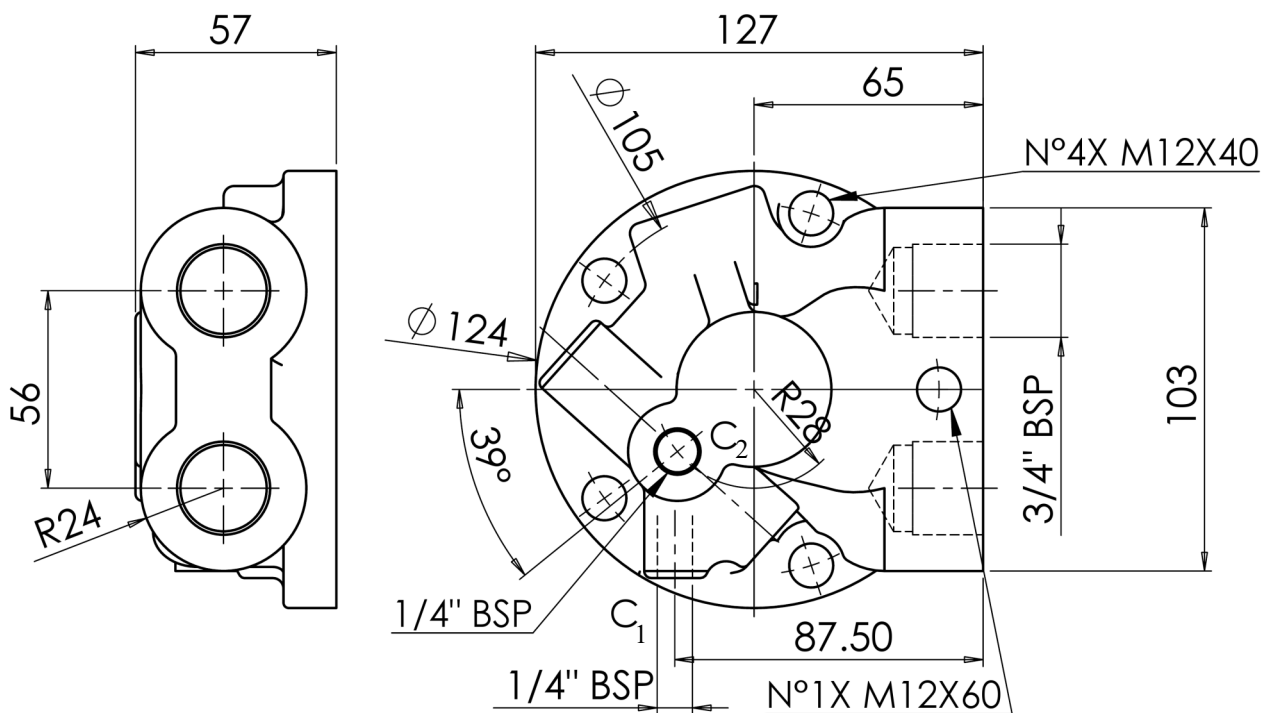
Distributor with ports 3/4" BSP, with anti-cavitation valve and double pilot port C1 radial and C2 axial.

Details

* Speed	Pressure	Flow
[rpm]	[bar]	[l/min]
Cont.	300	150
Peak.	500	300

Mass 5 kg

* Please check the performance of the motor selected.



OPTIONS		MOUNTABLE ON
DBM		GM05, GM1, GM2, GM3, GM4, GM5A P1, P2 Only with DBM: GS05, GS1, GS2, GS3, GS4, GS5A BD1, BD2 GK3(A), GFK3(A), GK4, GFK4
C		

D40

Distributor with ports 1" BSP.

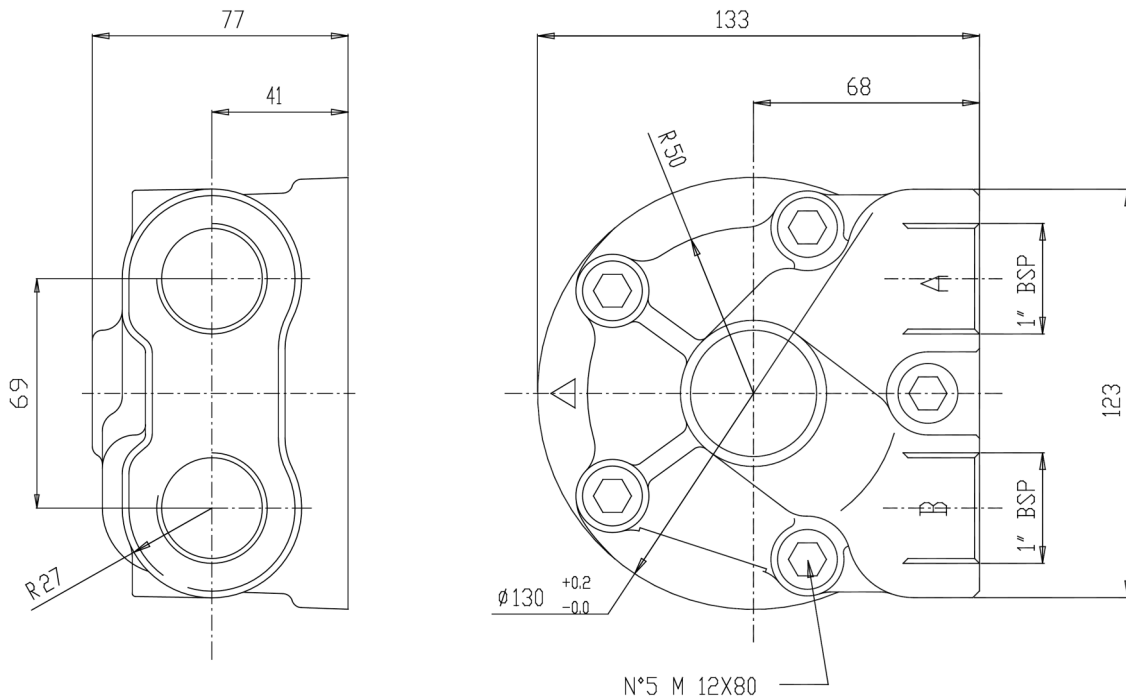
STANDARD ON: GM05, GM1, GM2, GM3, GM4, GM5A, P1, P2, BD1, BD2, BD3, TF1.5, TF2.5, GK3(A), GFK3(A), GK4, GFK4, BDK3(A), BDFK3(A), BDK4, BDFK4

Details

*	Speed [rpm]	Pressure [bar]	Flow [l/min]
Cont.	1600	350	200
Peak.	2400	450	400

Mass 5 kg

* Please check the performance of the motor selected.



OPTIONS	MOUNTABLE ON
C	GM05, GM1, GM2, GM3, GM4, GM5A P1, P2 Only with DBM: GS05, GS1, GS2, GS3, GS4, GS5A BD1, BD2 GK3(A), GFK3(A), GK4, GFK4
K	
J, JX, JD60, JY	
HU	

D47

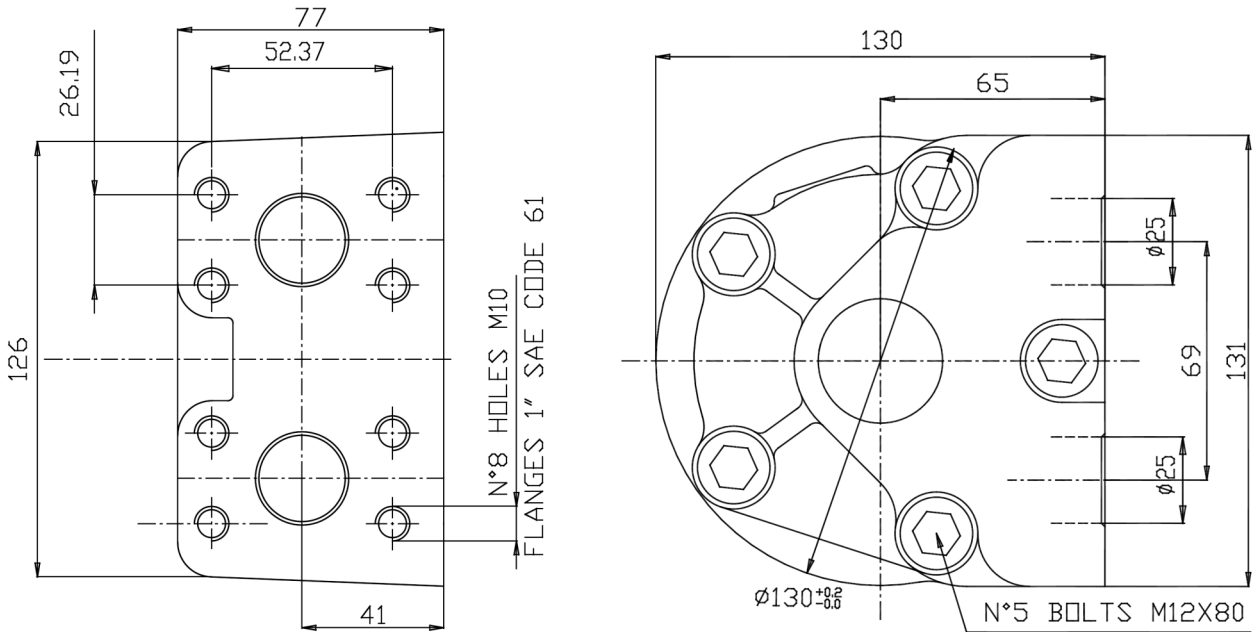
Distributor with ports 1" SAE 3000 psi.

Details

	Speed [rpm]	Pressure [bar]	Flow [l/min]
*			
Cont.	1600	350	200
Peak.	2400	450	400

Mass 5 kg

* Please check the performance of the motor selected.



OPTIONS	MOUNTABLE ON
DGM	GM05, GM1, GM2, GM3, GM4, GM5A P1, P2 Only with DBM: GS05, GS1, GS2, GS3, GS4, GS5A BD1, BD2 GK3(A), GFK3(A), GK4, GFK4
C	
K	
J, JX, JD60, JY	
HU	

D47R

Distributor with ports 1" SAE 6000 psi.

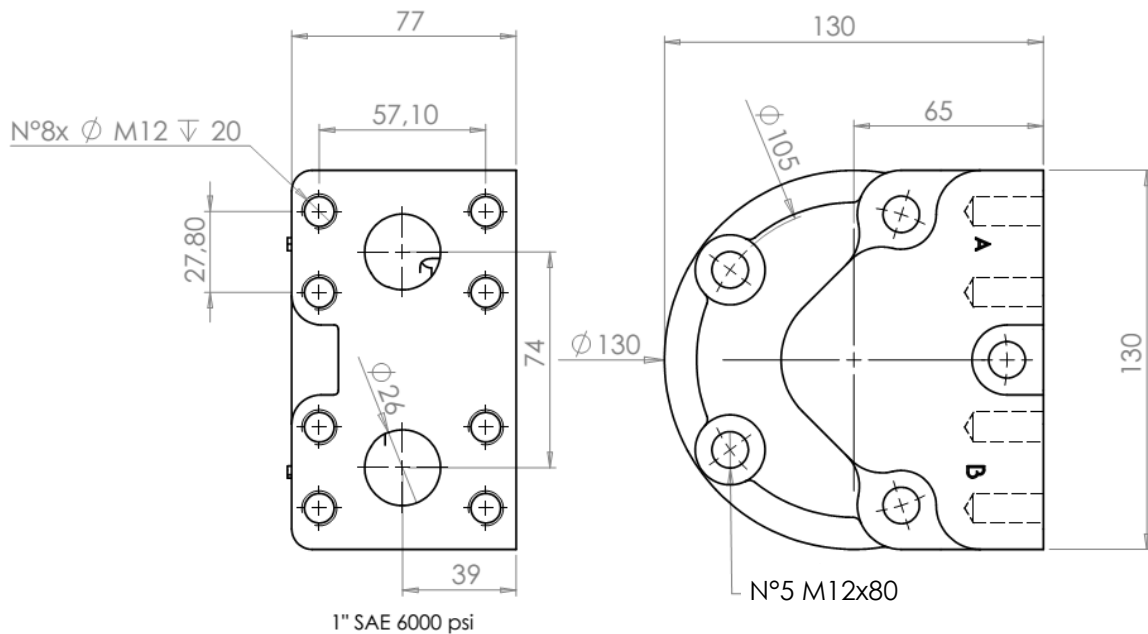
STANDARD ON: GS05, GS1, GS2

Details

*	Speed [rpm]	Pressure [bar]	Flow [l/min]
Cont.	1600	400	200
Peak.	2400	450	400

Mass 5 kg

* Please check the performance of the motor selected.



OPTIONS	MOUNTABLE ON
C	GM05, GM1, GM2, GM3, GM4, GM5A P1, P2 Only with DBM: GS05, GS1, GS2, GS3, GS4, GS5A BD1, BD2 GK3(A), GFK3(A), GK4, GFK4
K	
J, JX, JD60, JY	
HU	

D47D

Distributor with ports 1" SAE 6000 psi, with the hydraulic valve for the pilot of the dual displacement:
 Minimum pressure for the change displacement: 15 bar
 As a standard is predisposed for slow change, as an options is available the fast change "FC".

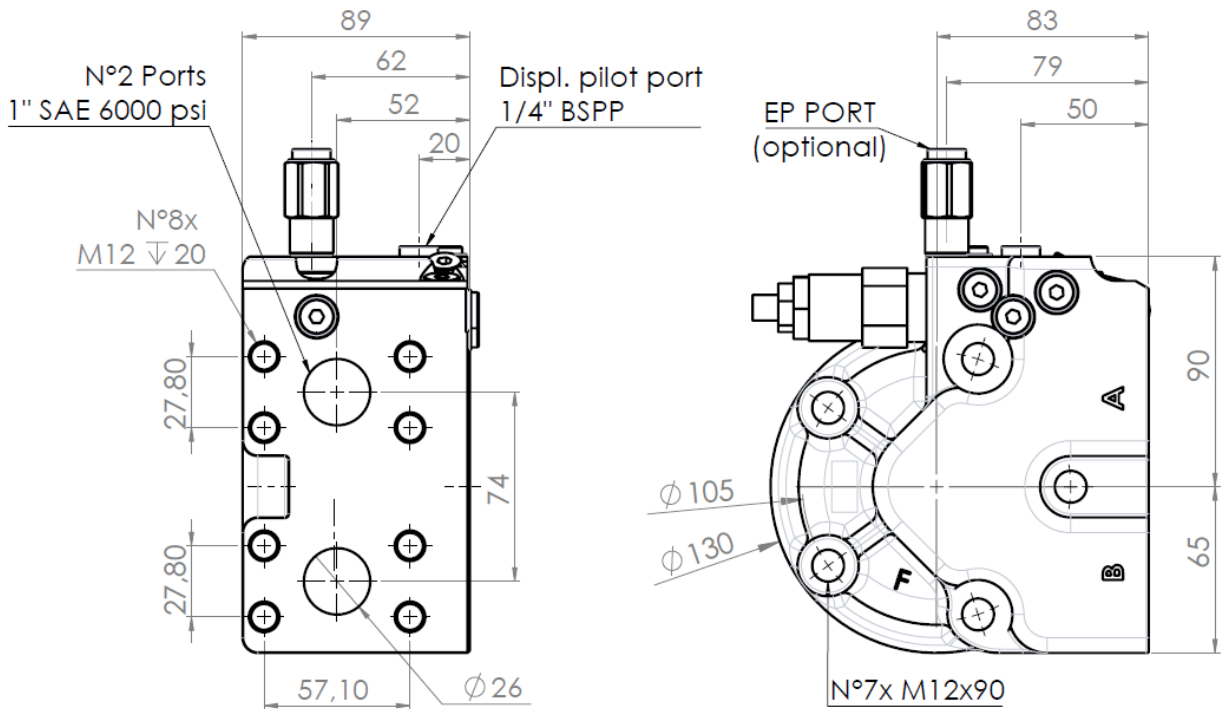
STANDARD on: BD1A, TD1.5, TD2.5, BDK4, BDFK4

Details

* Speed	Pressure	Flow
[rpm]	[bar]	[l/min]
Cont.	400	200
Peak.	450	400

Mass 7.5 kg

* Please check the performance of the motor selected.



OPTIONS		MOUNTABLE ON
K		BD1(A), BD2 TD1.5, TD2.5 BDK3(A), BDFK3(A), BDK4, BDFK4
J, JX, JD60, JY		
HU		
EP		

D47V

Distributor with ports 1" SAE 6000 psi, with electrical proportional valve for pilot the displacement:
Voltage: 12 Volt

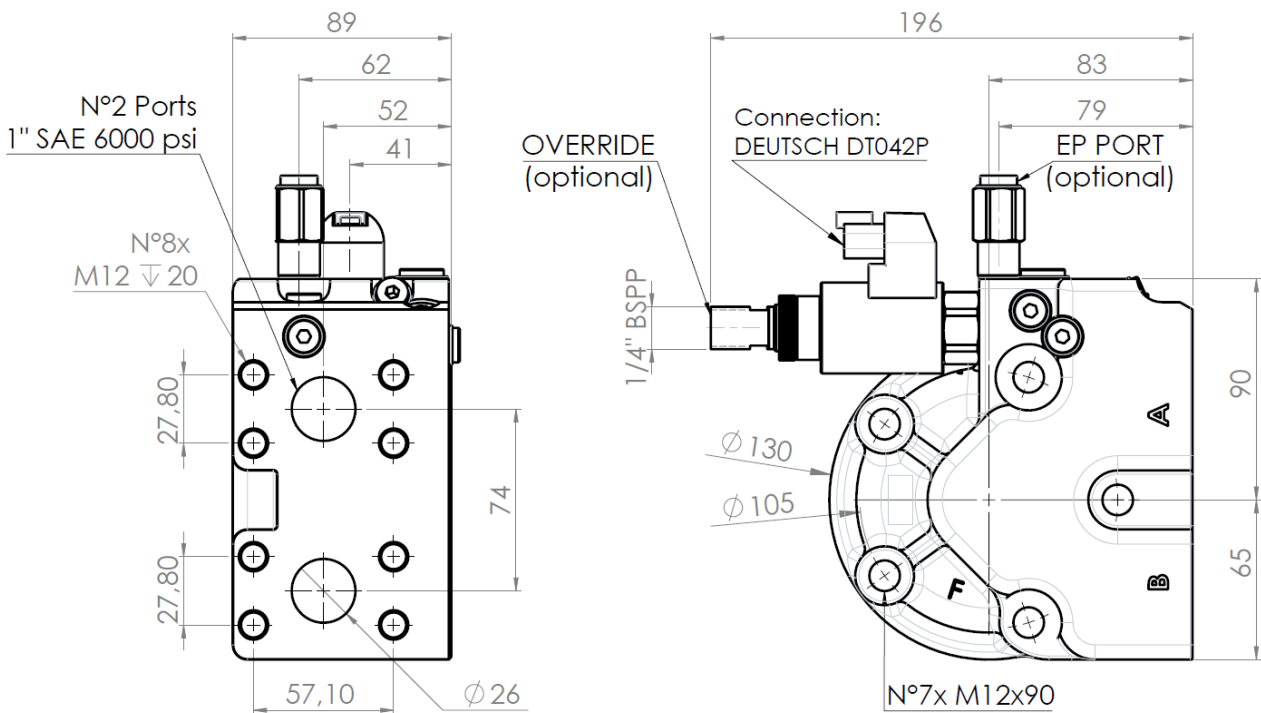
STANDARD ON: BV1(A), BV2, TV1.5, TV2.5, BVK3(A), BVFK3(A), BVK4, BVFK4

Details

* Speed	Pressure	Flow
[rpm]	[bar]	[l/min]
Cont.	1600	400
Peak.	2400	400

Mass 7.5 kg

* Please check the performance of the motor selected.



OPTIONS		MOUNTABLE ON
K		BV1(A), BV2 TV1.5, TV2.5 TD1.5, TD2.5 BVK3(A), BVFK3(A), BVK4, BVFK4
HU		
V24		
OV		
EP		

D48

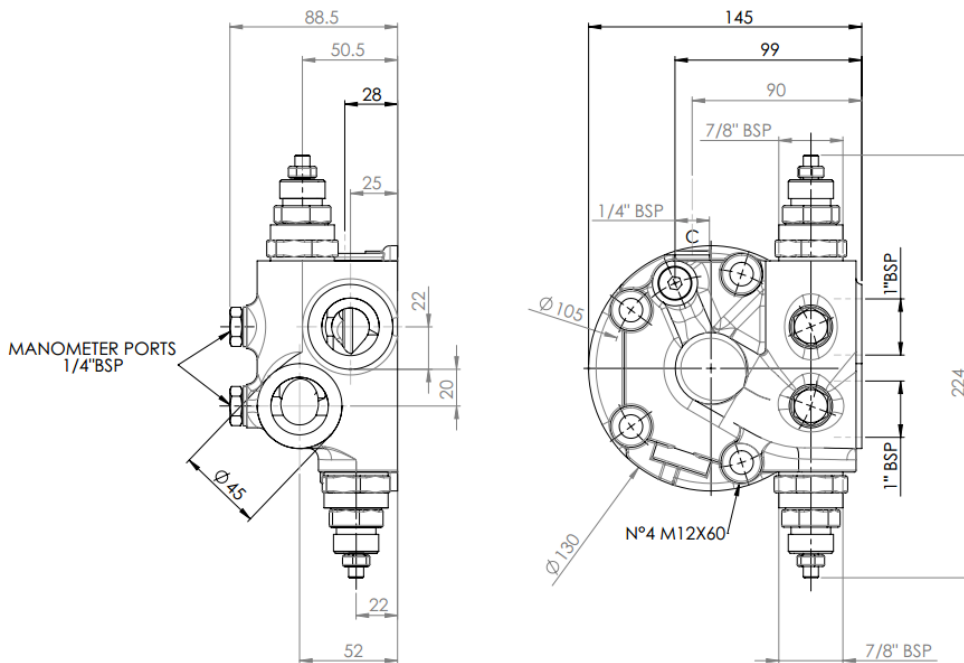
Distributors with ports 1" BSP with double sliding spool pressure relief valves:
 Maximum calibration: 420 bar.
 Standard calibration 350 bar.
 Maximum Flow rate limit valve: 150 l/min

Details

	Speed	Pressure	Flow
*	[rpm]	[bar]	[l/min]
Cont.	1600	**300	200
Peak.	2400	**420	400

Mass 6 kg

- * Please check the performance of the motor selected.
- ** The pressure limit depends by the type of the valve incorporated.



OPTIONS	A B	MOUNTABLE ON
C		GM05, GM1, GM2, GM3, GM4, GM5A P1, P2 Only with DBM: GS05, GS1, GS2, GS3, GS4, GS5A BD1, BD2 GK3(A), GFK3(A), GK4, GFK4
K		
J, JX, JD60, JY		
HU		

D481

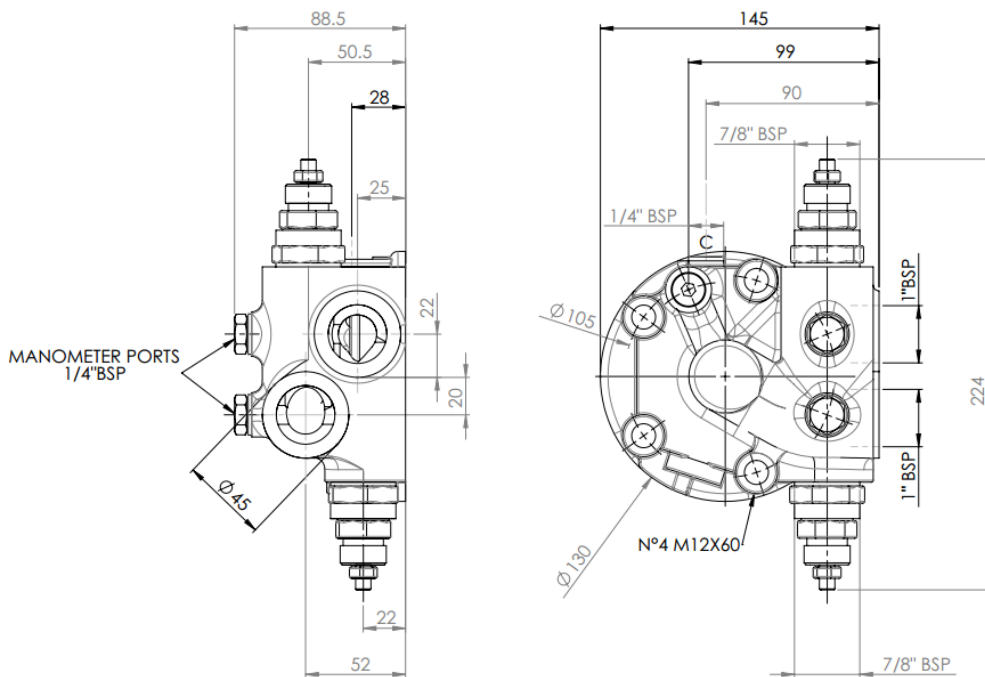
Distributors with ports 1" BSP with double sliding spool pressure relief valves and shuttle valve, 20 lit/min at 20 bar:
 Maximum calibration: 420 bar.
 Standard calibration 350 bar.
 Maximum Flow rate limit valve: 150 l/min

Details

	Speed	Pressure	Flow
*	[rpm]	[bar]	[l/min]
Cont.	1600	**300	200
Peak.	2400	**420	400

Mass 6 kg

- * Please check the performance of the motor selected.
- ** The pressure limit depends by the type of the valve incorporated.



OPTIONS		MOUNTABLE ON
C		GM05, GM1, GM2, GM3, GM4, GM5A P05, P1, P2 Only with DBM: GS05, GS1, GS2, GS3, GS4, GS5A BD1, BD2 GK3(A), GFK3(A), GK4, GFK4
K		
J, JX, JD60, JY		
HU		

D49

Distributor with ports 1" BSP with double sliding spool pressure relief valves:
 Maximum setting pressure: 250 bar.
 Standard setting: 200 bar.
 Maximum Flow rate limit valve: 80 l/min.

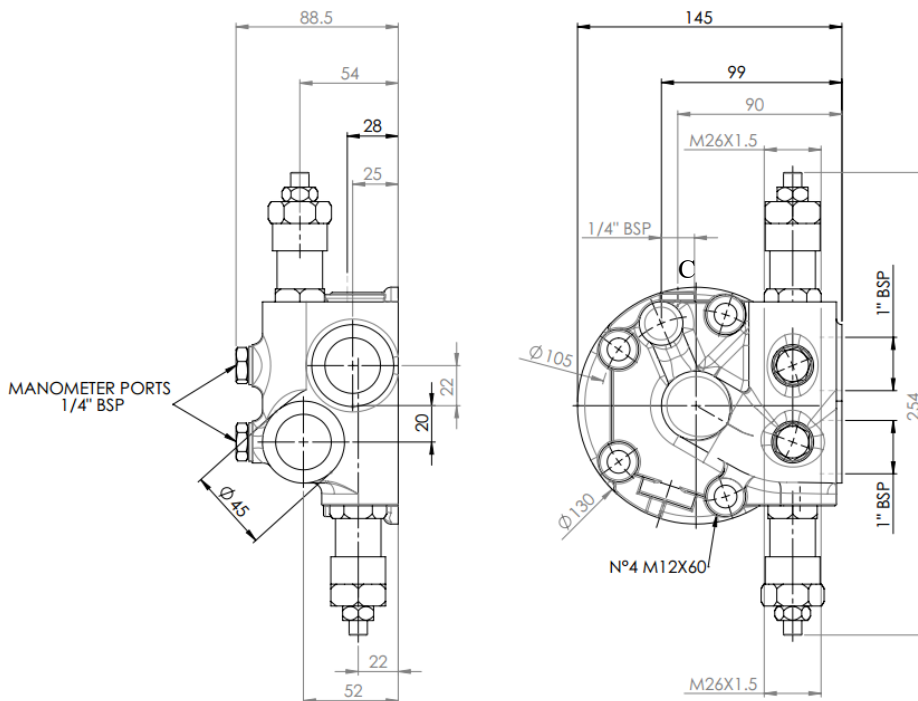
Details

*	Speed	Pressure	Flow
	[rpm]	[bar]	[l/min]
Cont.	1600	**250	200
Peak.	2400	**250	400

Mass 6 kg

* Please check the performance of the motor selected.

** The pressure limit depends by the type of the valve incorporated.



OPTIONS	A B	MOUNTABLE ON
C		GM05, GM1, GM2, GM3, GM4, GM5A P1, P2 Only with DBM: GS05, GS1, GS2, GS3, GS4, GS5A BD1, BD2 GK3(A), GFK3(A), GK4, GFK4
K		
J, JX, JD60, JY		
HU		

D491

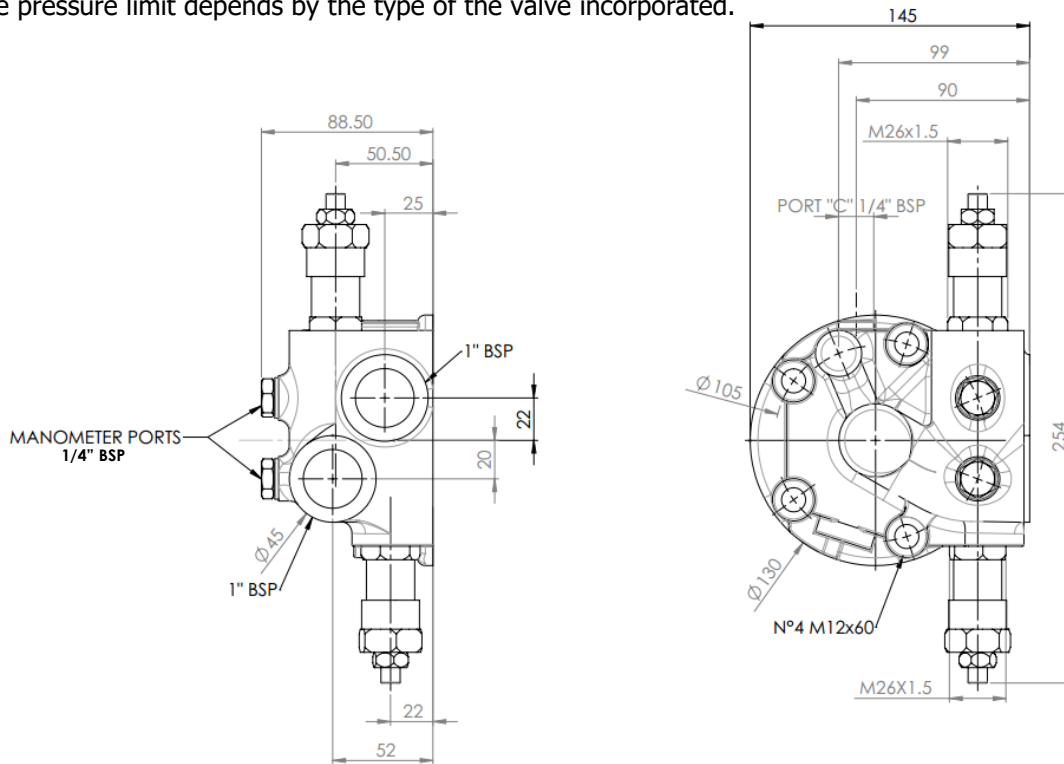
Distributor with ports 1" BSP with double sliding spool pressure relief valves and shuttle valve, 20 lit/min at 20 bar:
 Maximum setting pressure: 250 bar.
 Standard setting: 200 bar.
 Maximum Flow rate limit valve: 80 l/min.

Details

	Speed [rpm]	Pressure [bar]	Flow [l/min]
*			
Cont.	1600	**250	200
Peak.	2400	**250	400

Mass 6 kg

- * Please check the performance of the motor selected.
- ** The pressure limit depends by the type of the valve incorporated.



OPTIONS		MOUNTABLE ON
C		<p>GM05, GM1, GM2, GM3, GM4, GM5A P1, P2</p> <p>Only with DBM: GS05, GS1, GS2, GS3, GS4, GS5A BD1, BD2 GK3(A), GFK3(A), GK4, GFK4</p>
K		
J, JX, JD60, JY		
HU		

D416

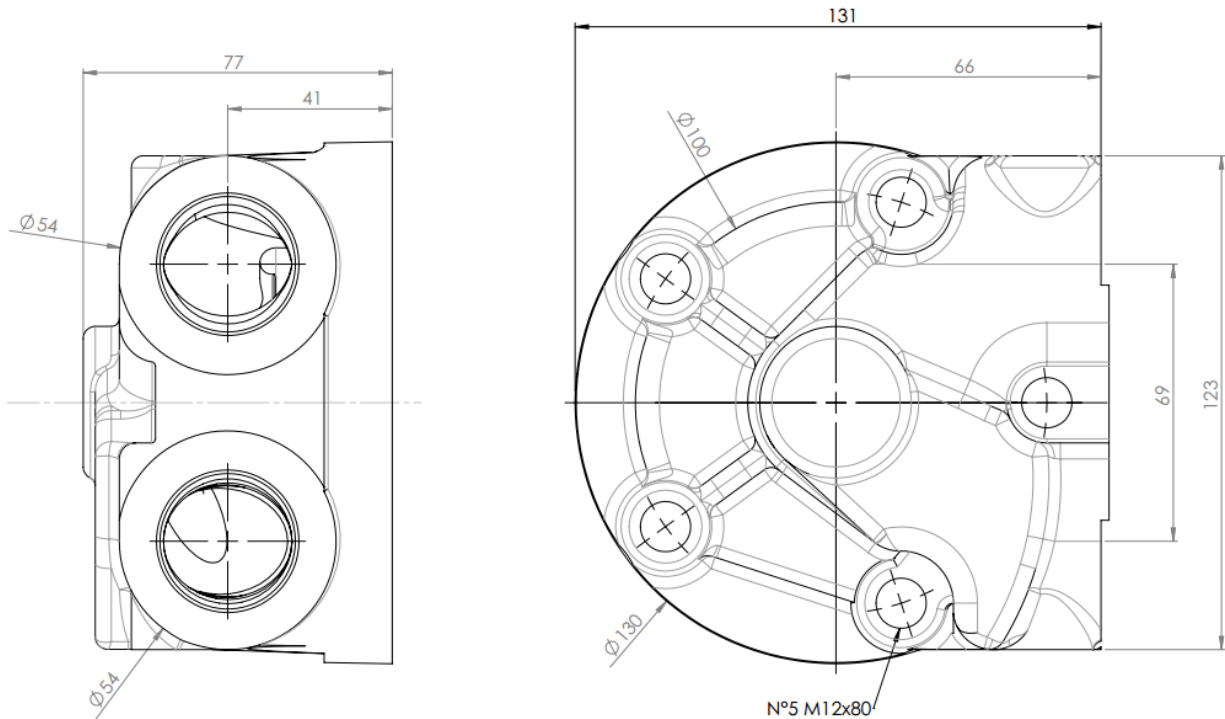
Distributor with ports 1" 5/16" - 12 UNF - 2B.

Details

	Speed [rpm]	Pressure [bar]	Flow [l/min]
*			
Cont.	1600	350	200
Peak.	2400	450	400

Mass 5 kg

* Please check the performance of the motor selected.



OPTIONS	MOUNTABLE ON
C	GM05, GM1, GM2, GM3, GM4, GM5A P1, P2 Only with DBM: GS05, GS1, GS2, GS3, GS4, GS5A BD1, BD2 GK3(A), GFK3(A), GK4, GFK4
K	
HU	

D504

Distributor with ports 1" BSP, with double overcentre valve and shuttle valve for high pressure pilot:
 Pilot ratio: 10:1
 Max. flow : 120 lit/min
 Setting : 100-350 bar
 Recommended setting pressure: 1.3 x work pressure
 Standard setting: 210 bar

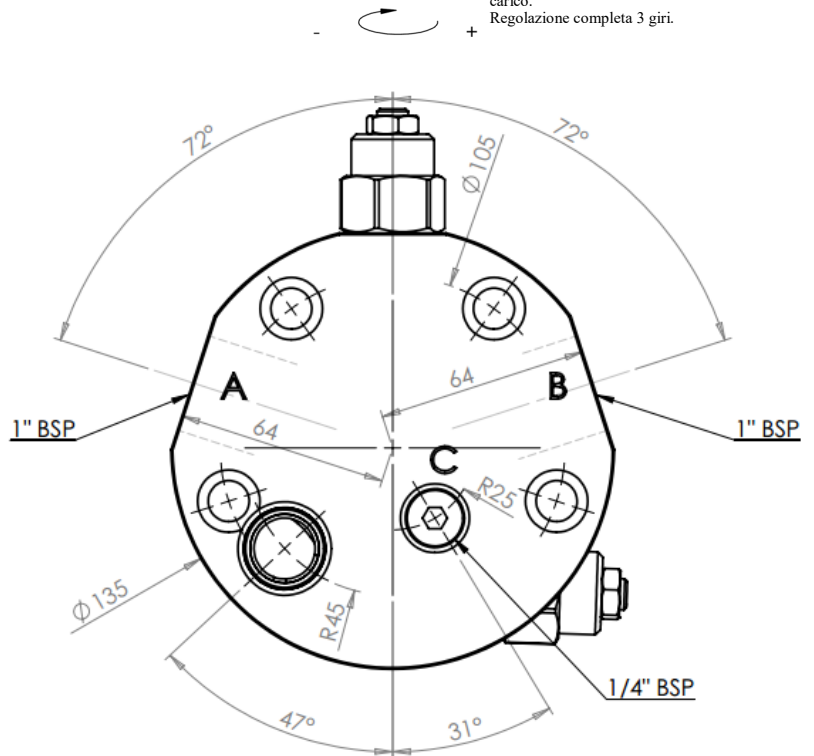
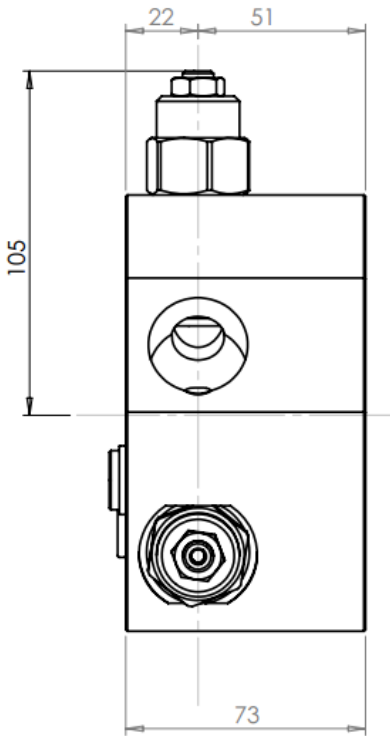
Details

* Speed	Pressure	Flow
[rpm]	[bar]	[l/min]
Cont.	1600	120
Peak.	2400	120

Mass 5 kg

* Please check the performance of the motor selected.

Girare la vite in senso orario per ridurre la taratura e regolare il carico.
 Regolazione completa 3 giri.



OPTIONS		MOUNTABLE ON
		GM05, GM1, GM2, GM3, GM4, GM5A P05, P1, P2 Only with DBM: GS05, GS1, GS2, GS3, GS4, GS5A BD1, BD2 GK3(A), GFK3(A), GK4, GFK4

D51

Distributor with ports 1" BSP, with overcentre valve and shuttle valve for high pressure pilot:
 Pilot ratio: 10:1
 Max. flow : 120 lit/min
 Setting : 100-350 bar
 Recommended setting pressure: 1.3 x work pressure
 Standard setting: 210 bar

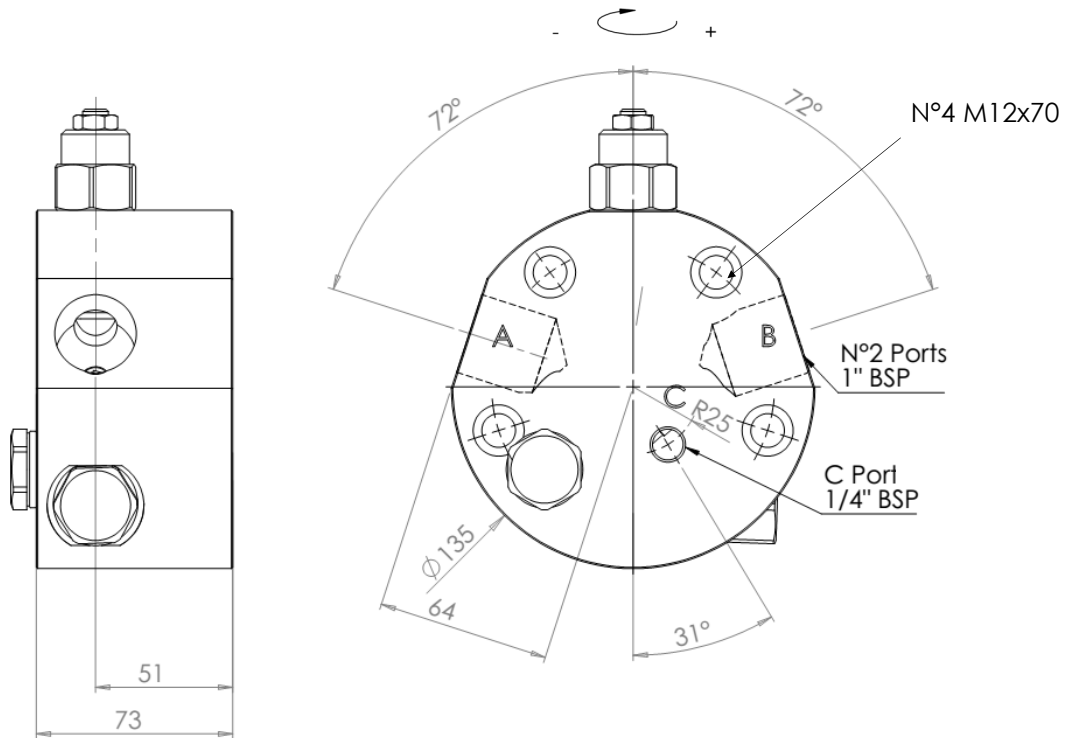
Details

	Speed	Pressure	Flow
*	[rpm]	[bar]	[l/min]
Cont.	1600	300	120
Peak.	2400	350	120

Mass 5 kg

* Please check the performance of the motor selected.

Girare la vite in senso orario per ridurre la taratura e regolare il carico. Regolazione completa 3 giri.



OPTIONS		MOUNTABLE ON
		GM05, GM1, GM2, GM3, GM4, GM5A P1, P2 Only with DBM: GS05, GS1, GS2, GS3, GS4, GS5A BD1, BD2 GK3(A), GFK3(A), GK4, GFK4

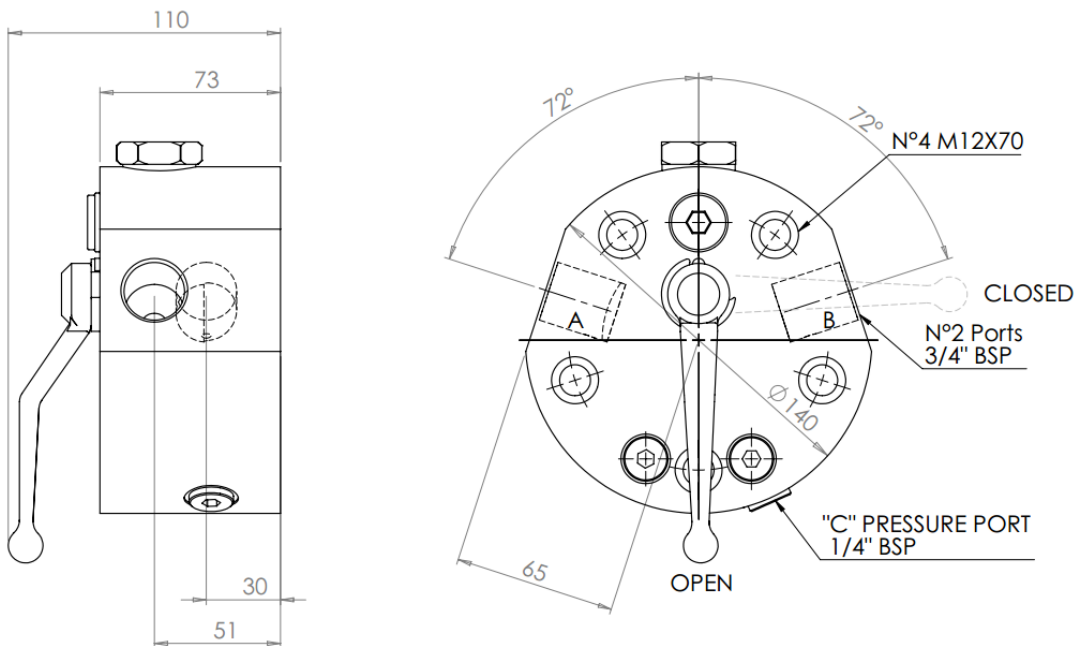
D510

Distributor with ports 3/4" BSP.
Freewheeling type "C" pag.10.

Details

* Speed	Pressure	Flow
[rpm]	[bar]	[l/min]
Cont. 1600	300	200
Peak. 2400	450	400
Mass 5 kg		

* Please check the performance of the motor selected.



OPTIONS	A B	MOUNTABLE ON
		GM05, GM1, GM2, GM3, GM4, GM5A P1, P2 Only with DBM: GS05, GS1, GS2, GS3, GS4, GS5A BD1, BD2 GK3(A), GFK3(A), GK4, GFK4

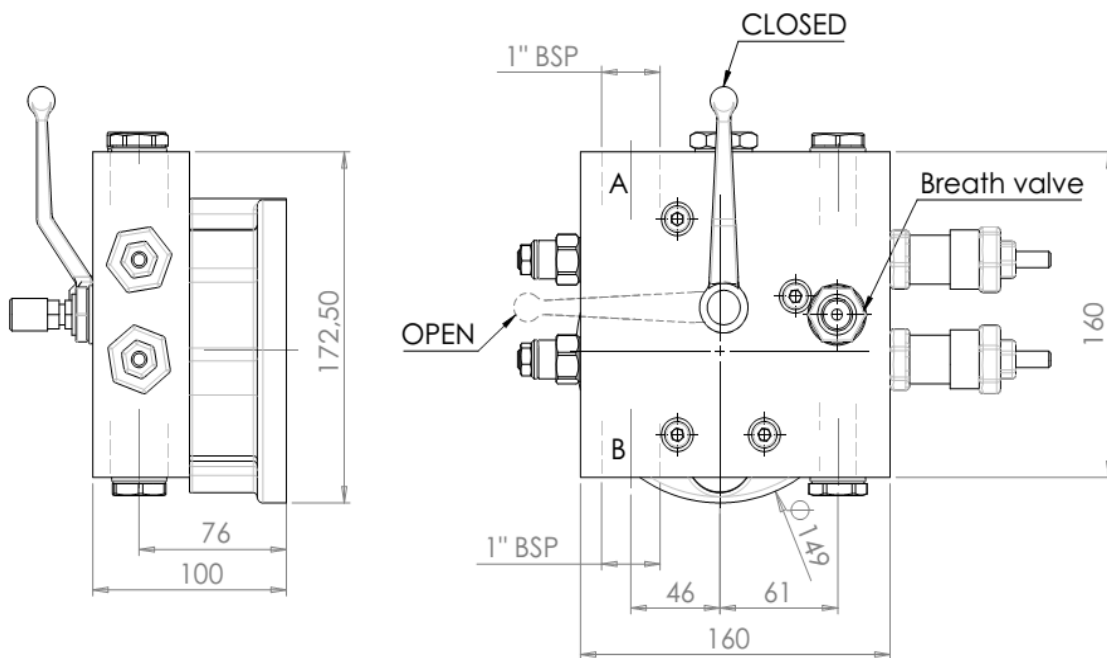
D524

Details

Distributor with ports 1" BSP with double overcentre valve , double sliding spool pressure relief valves, relief valve and with shuttle valve for high pressure pilot:
Pilot ratio: 4.5:1
Minimum setting pressure: 140-350 bar
Recommended setting pressure: 1.3 x work pressure
Standard setting: 210 bar
Freewheeling type "C" pag.10.

* [rpm]	Speed [rpm]	Pressure [bar]	Flow [l/min]
Cont.	1600	300	60
Peak.	2400	350	120
Mass 5 kg			

* Please check the performance of the motor selected.



OPTIONS		MOUNTABLE ON
		GM05, GM1, GM2, GM3, GM4, GM5A P1, P2
		Only with DBM: GS05, GS1, GS2, GS3, GS4, GS5A BD1, BD2 GK3(A), GFK3(A), GK4, GFK4

D90

Distributor with ports 1" 1/2 SAE 6000 psi.

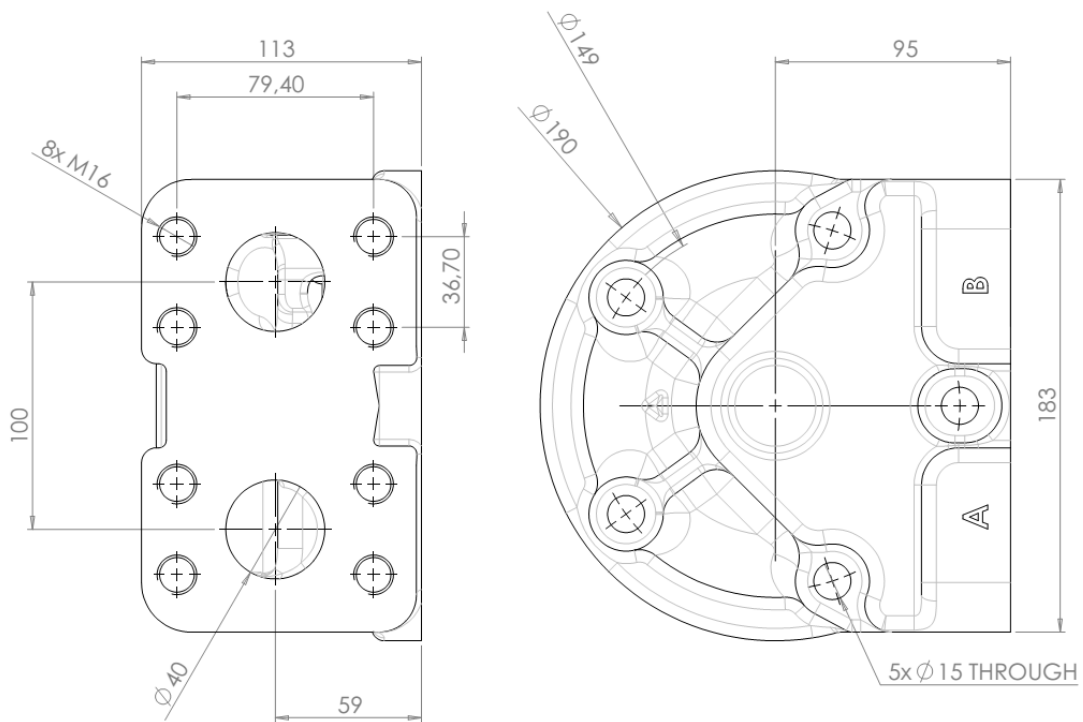
STANDARD ON: GM6, BD5, GS3, GS4, GS5A, L7B

Details

*	Speed [rpm]	Pressure [bar]	Flow [l/min]
Cont.	700	350	500
Peak.	1200	420	1000

Mass 14.5 kg

* Please check the performance of the motor selected.



OPTIONS	MOUNTABLE ON
K	GM3, GM4, GM5A, GM6 GS3, GS4, GS5A, GS6A L7B S7B BD5, BD6
J	
HU	

D907

Distributor with ports 1" 1/2 SAE 6000 psi.

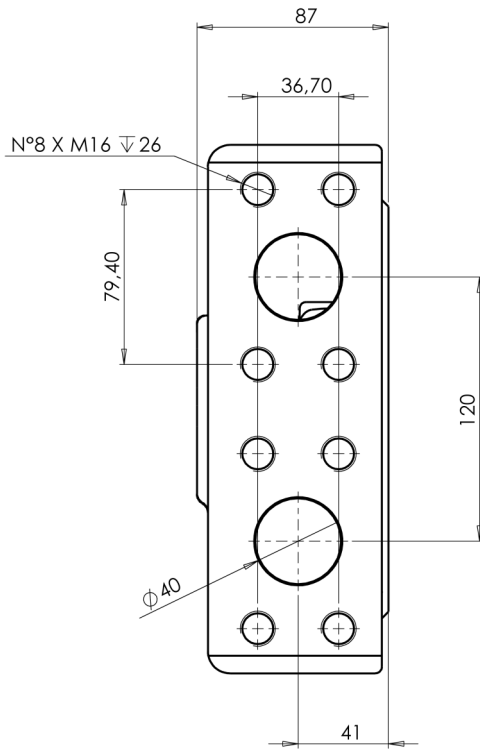
STANDARD ON: TF3.5, TS8F(w).

Details

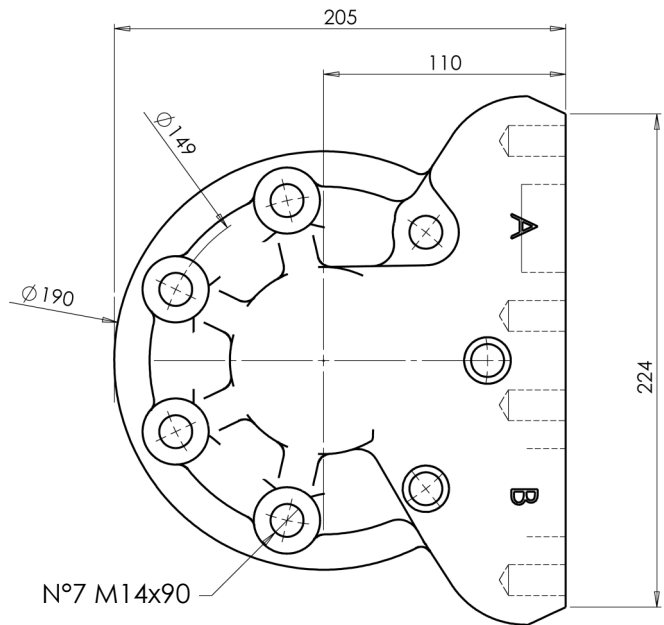
* Speed	Pressure	Flow
[rpm]	[bar]	[l/min]
Cont. 700	400	500
Peak. 1200	450	1000

Mass 13.5 kg

* Please check the performance of the motor selected.



1" 1/2 SAE 6000psi



OPTIONS	MOUNTABLE ON
K	TF3.5 TS8F(W)
J	
HU	

D907D

Distributor with ports 1" 1/2 SAE 6000 psi with the hydraulic valve for the pilot of the dual displacement:
 Minimum pressure for the change displacement: 15 bar.
 Different calibration on request.
 As a standard this motor is predisposed for a slow change displacement, as an option is available the fast changing version "FC".

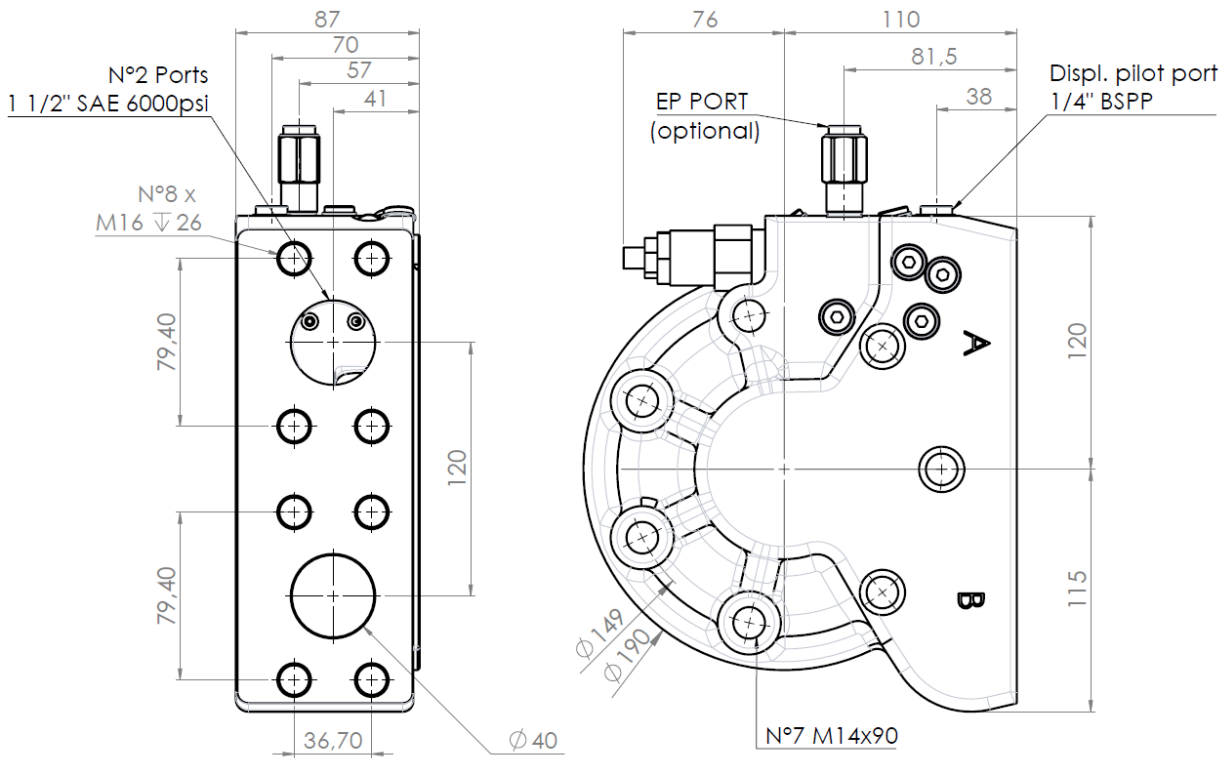
STANDARD ON: TD3.5, TS8DF(W)

Details

	Speed [rpm]	Pressure [bar]	Flow [l/min]
*			
Cont.	1400	400	500
Peak.	1800	450	1000

Mass 14 kg

* Please check the performance of the motor selected.



OPTIONS		MOUNTABLE ON
K		TD3.5 TS8DF(W)
J		
HU		
EP		
FC		

D907V

Distributor with ports 1" 1/2 SAE 6000 psi, with electrical proportional valve for pilot the displacement:
Voltage: 12 Volt

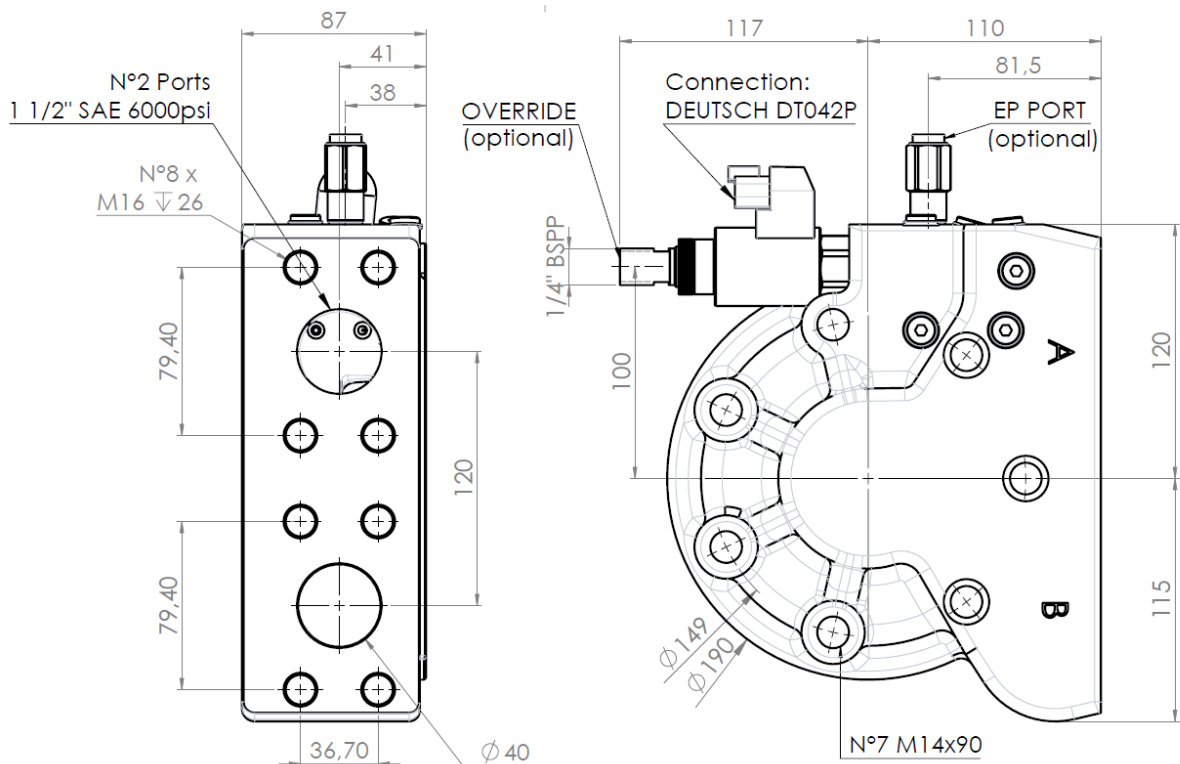
STANDARD ON: TV3.5, TS8VF(W)

Details

	Speed [rpm]	Pressure [bar]	Flow [l/min]
*			
Cont.	1400	400	500
Peak.	1800	450	1000

Mass 14 kg

* Please check the performance of the motor selected.



OPTIONS	A	B	MOUNTABLE ON
K			<p>TD3.5 TS8DF(W) TV3.5 TS8VF(W)</p>
HU			
V24			
OV			
EP			

D250

Distributor with ports 2" SAE 6000 psi.

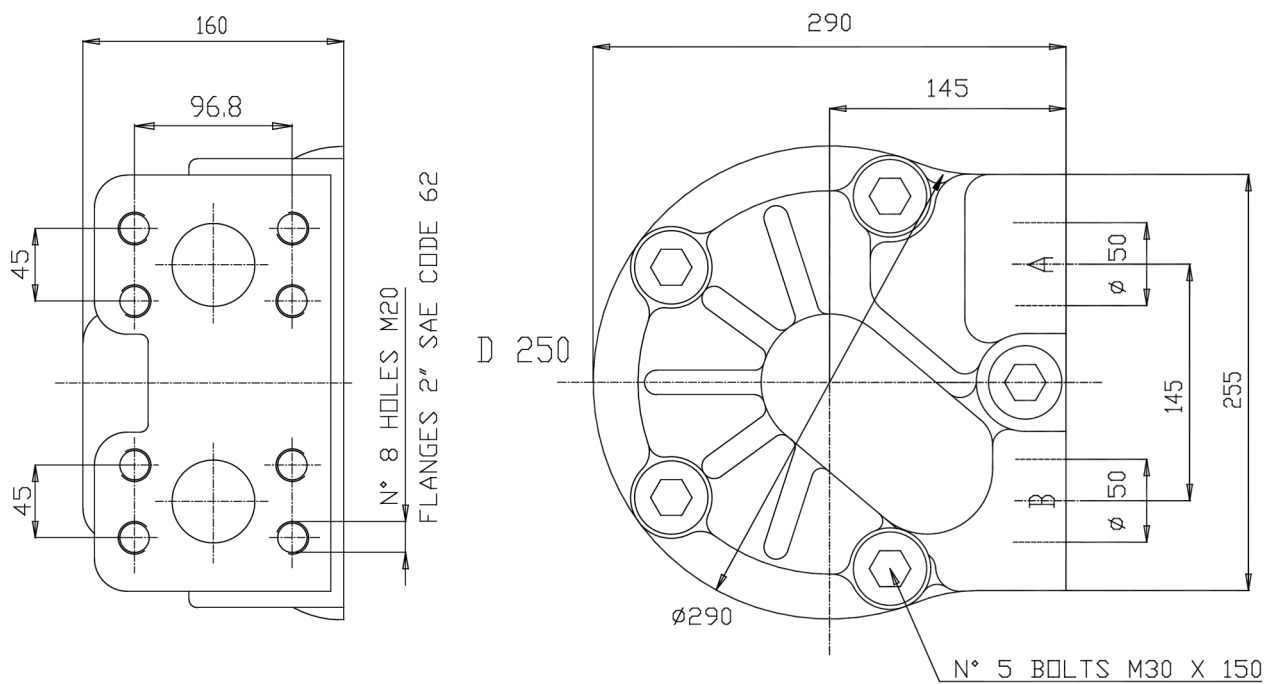
STANDARD ON: GS6A, L7B, L9, BD6, S7B, S9

Details

	Speed	Pressure	Flow
*	[rpm]	[bar]	[l/min]
Cont.	500	250	1000
Peak.	1000	420	2000

Mass 50 kg

* Please check the performance of the motor selected.



OPTIONS	MOUNTABLE ON
J	GM6 GS6A L7B, L9 S7B, S9 BD6



WORLDWIDE



SAI CANADA

6105 Blvd. Couture St. Leonard
Quebec CANADA

Ph. +1 514-323-4552
Fax +1 514-323-8780
saicanada@saihyd.com
www.saihyd.com



SAI GREAT BRITAIN

Unit 8, Honeywood Road Business Park,
Basildon SS14 3HW UK
Ph. +44 1268 272030
Fax +44 1268 272040
info@saigb.co.uk
www.saigb.com.uk



SAI JAPAN

Keisho ARK2 201 4-29-12 Kamiogi
Suginami-Ku 1670043 Tokyo, JAPAN
Ph. +81 3-3390-5500
Fax +81 3-3390-5501
info@saijapan.jp
www.saijapan.jp



SAI USA

168 E Ridge Road Linwood,
PA 19061 USA

Ph. +1 610-497-0190
Fax +1 610-497-0194
info@saihyd.com
www.saihyd.com



SAI UKRAINE

Ph. +380 66 449 7992
saihydromotors@saihydromotors.com.ua
www.saihydromotors.com.ua



SAI CHINA

1st Floor, 2nd Building, No.1281, Jinhu Rd.,
Pudong 201206, Shanghai, PRC
Ph. +86 21 5031 5248
Fax +86 21 5031 5246
saichina@saihydro.com
www.saihydro.com



SAI BRAZIL

Ph. + 55 16 9739-0790
saihidraulica@saihidraulica.com.br
www.saihidraulica.com.br



SAI SOUTH AFRICA

Suite 244 Postnet Private Bag X5061 Stellenbosch
7599 Western Cape SOUTH AFRICA
Ph. +27 (0) 21 905 0835
Fax +27 (0) 21 905 7375
info@saihydraulics.co.za
www.saihydraulics.co.za



SAI INDIA

26/C, Doddanekkundi I.A. Phase 1 Post
Mahadevapura Bangalore 560048 INDIA
Ph. +91 80 4260 5509
Fax +91 80 4260 5506
sales-domestic@saihydromotor.com
www.saihydromotor.com



SAI

Via Olanda 51, 41122 Modena (MO) ITALY
Ph. +39 059 420111 Fax +39 059 451260
saipa@saipa.it
www.saipa.com