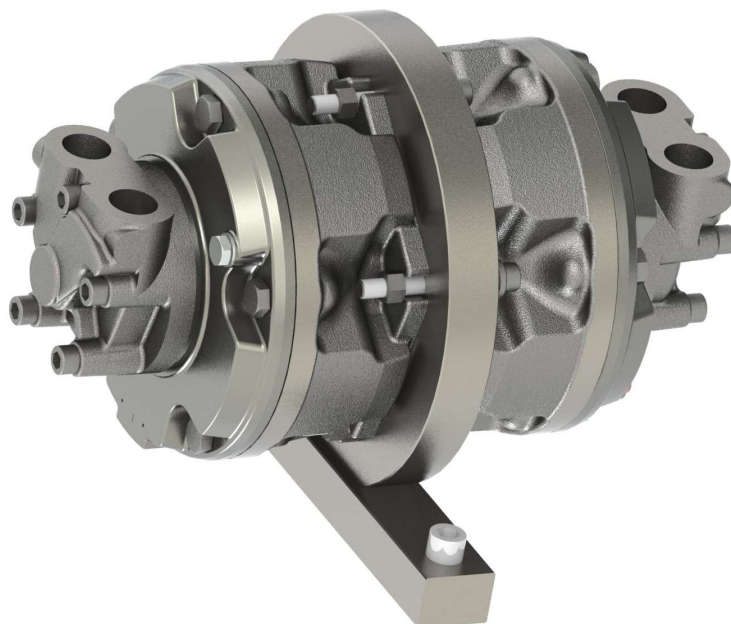


FLOW DIVIDERS PREVIEW CATALOGUE



Power through Efficiency

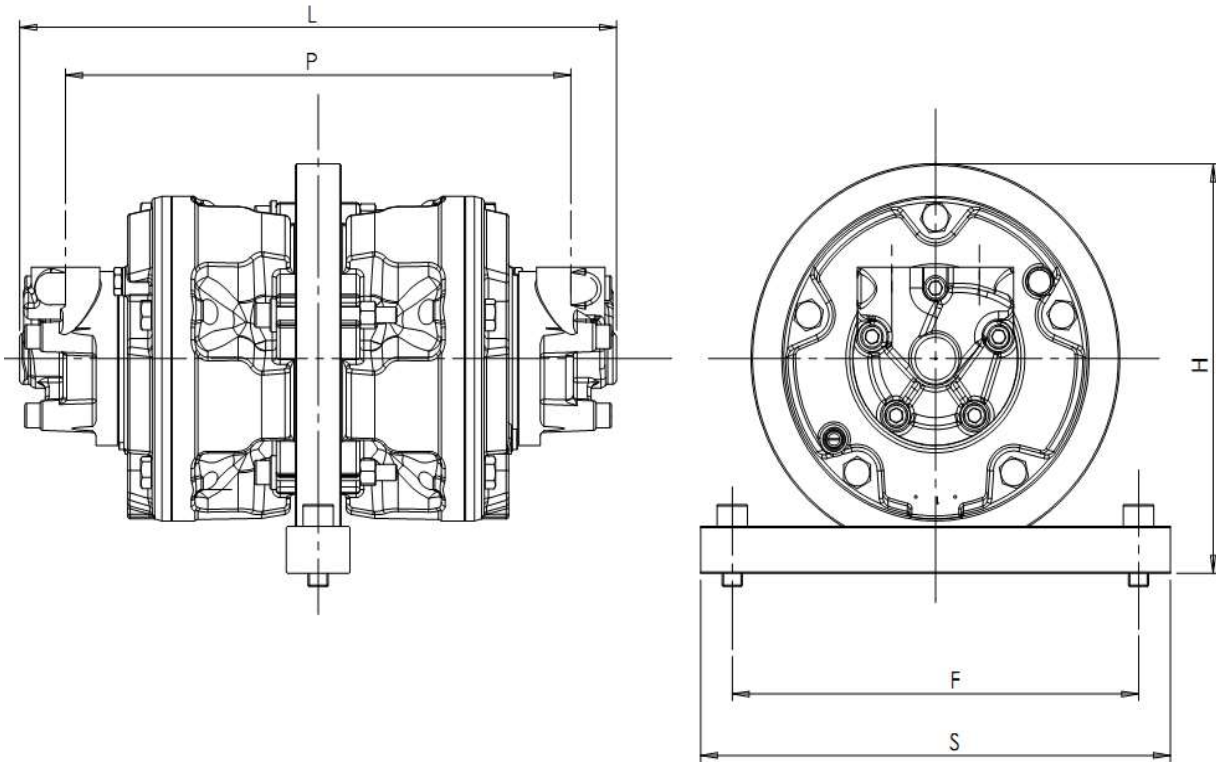


TECHNICAL CHARACTERISTICS

Type	Displacement per section	Flow per section		Pressure		Max power per section
		Cont.	Max	Cont.	Max	
	[cm ³ /rev]	[l/min]	[l/min]	[bar]	[bar]	[kW]
GM1 100/100	99	40	60	250	300	28
GM1 175/175	172	70	90	250	300	28
GM2 300/300	304	120	170	250	300	45
GM2 500/500	493	150	190	250	300	45
GM3 700/700	690	230	270	250	300	60
GM5 1600/1600	1634	340	400	250	300	100
GM6 2100/2100	2127	460	500	250	300	130

Max power must not be exceeded

EXTERNAL DIMENSIONS



	GM1	GM2	GM3	GM5	GM6
	[mm]				
H	305	370	450	565	580
F	320	390	470	595	610
S	370	450	540	680	700
L	470	540	580	690	880
P	398	460	505	620	775